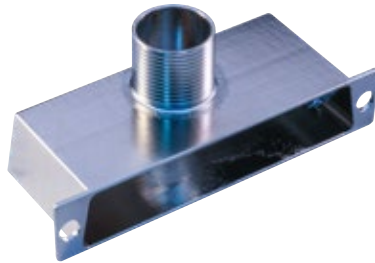


SPACE-GRADE MIL-DTL-24308 D-SUB BACKSHELLS

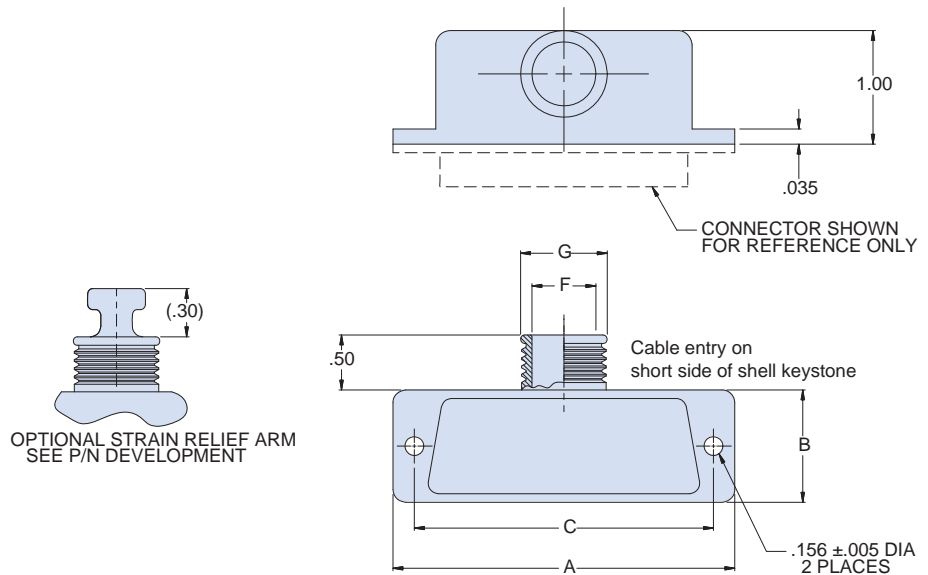
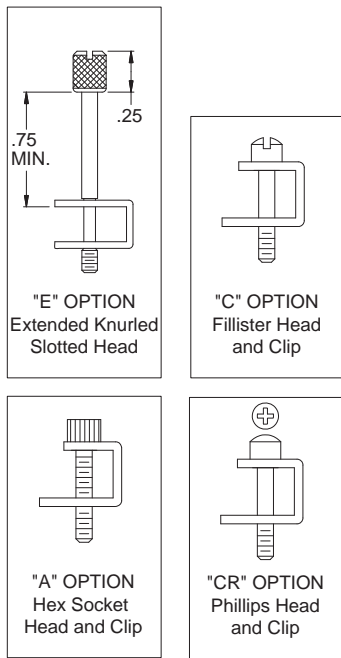
Lightweight, Low-Profile EMI/RFI Backshell with Qwik-Ty option



Solid shell, short side cable entry - 557-109



How To Order					
Sample Part Number	557-109	M	2	04	C S
Series	Side Entry backshell				
Finish Symbol	M = Electroless Nickel Z2 = Gold Plate				
Shell Size	1, 2, 3, 4, 5 (Table I)				
Entry Size	01, 02, 03, 04, 05, 06, 07, 08, 09 (Table II)				
Jackscrew Option	A = Hex Socket Head and Clip C = Fillister Head and Clip CR = Phillips Head and Clip E = Extended Knurled Slotted Head Omit for none				
Qwik-Ty Option	S = With Qwik-Ty strain relief arm Omit for none				



D-SUBMINIATURE

Entry Size	F Dia.	G Dia.
01	.125 (3.18)	.205 (5.21)
02	.187 (4.75)	.267 (6.78)
03	.270 (6.86)	.350 (8.89)
04	.290 (7.37)	.370 (9.40)
05	.312 (7.92)	.392 (9.96)
06	.395 (10.03)	.475 (12.07)
07	.420 (10.67)	.500 (12.70)
08	.500 (12.70)	.580 (14.73)
09	.529 (13.44)	.609 (15.47)

Shell Size	A	B	C ±.005 (0.1)
1	1.203 (30.6)	.500 (12.7)	.984 (25.0)
2	1.531 (38.9)	.500 (12.7)	1.312 (33.3)
3	2.078 (52.8)	.500 (12.7)	1.852 (47.0)
4	2.718 (69.0)	.500 (12.7)	2.500 (63.5)
5	2.625 (66.7)	.609 (15.5)	2.406 (61.1)

MATERIAL/FINISH

Backshell: Aluminum alloy
Hardware: CRES / passivated