

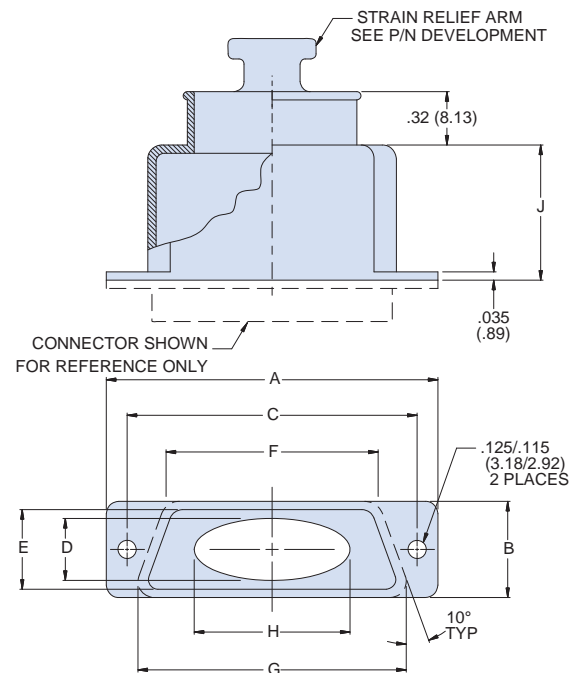
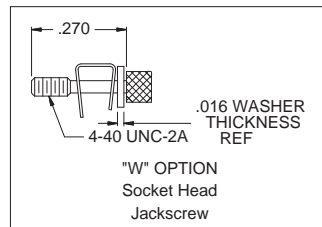
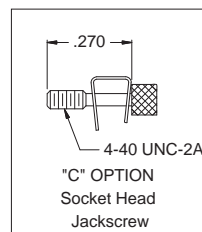
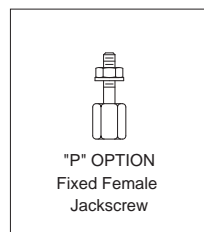
SPACE-GRADE MIL-DTL-24308 D-SUB BACKSHELLS

Lightweight, Low-Profile EMI/RFI Backshell with Micro Banding Porch and Qwik-Ty Option

Solid shell, top elliptical cable entry - 557-281



How To Order	
Sample Part Number	557-281 M 5 04 B S C
Series	557-281 Top Oval Entry backshell
Finish Symbol	M = Electroless Nickel Z2 = Gold Plate
Shell Size	1, 2, 3, 4, 5, 6 (Table I)
Entry Size	04, 05, 06, 07, 08, 09, 10, 11, 12, 13, 14, 15, 16 (Table III)
Height Code	A, B, C, D, E, F, G, H (Table IV)
Qwik-Ty Option	S = With Qwik-Ty strain relief arm Omit for none
Hardware Option	C = Fillister Head W = Socket Head Jackscrew P = Fixed Female Jackscrew Omit for none



Entry Size	H
04	.500 (12.70)
05	.625 (15.88)
06	.750 (19.05)
07	.875 (22.23)
08	1.000 (25.40)
09	1.125 (28.58)
10	1.250 (31.75)
11	1.375 (34.92)
12	1.500 (38.10)
13	1.625 (41.28)
14	1.750 (44.45)
15	1.875 (47.63)
16	2.000 (50.80)

Height Code	J
A	.50 (12.70)
B	.62 (15.75)
C	.75 (19.05)
D	.87 (22.10)
E	1.00 (25.40)
F	1.12 (28.45)
G	1.25 (31.75)
H	1.38 (35.05)

Shell Size	A	B	C ±.005 (0.13)	D	E	F Ref.	G ±.030 (.762)	Max Entry Size
1	1.203 (30.56)	.500 (12.70)	.984 (24.99)	.375 (9.52)	.467 (11.86)	.639 (16.23)	.839 (21.31)	05
2	1.531 (38.88)	.500 (12.70)	1.312 (33.32)	.375 (9.52)	.467 (11.86)	.978 (24.84)	1.178 (29.92)	08
3	2.078 (52.78)	.500 (12.70)	1.852 (47.04)	.375 (9.52)	.467 (11.86)	1.507 (38.28)	1.706 (43.33)	12
4	2.718 (69.04)	.500 (12.70)	2.500 (63.50)	.375 (9.52)	.467 (11.86)	2.163 (54.94)	2.364 (60.05)	16
5	2.625 (66.68)	.609 (15.47)	2.406 (61.11)	.484 (12.29)	.579 (14.71)	2.053 (52.15)	2.291 (58.19)	16
6	2.780 (70.61)	.670 (17.02)	2.500 (63.50)	.554 (14.07)	.621 (15.77)	2.185 (55.50)	2.421 (61.49)	16

MATERIALS

Backshell: Aluminum alloy
Hardware: CRES / passivated