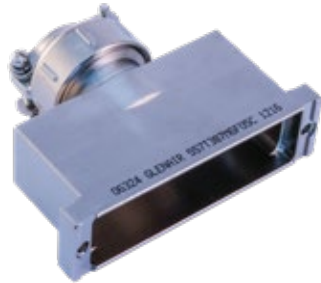


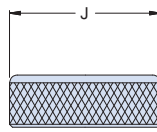
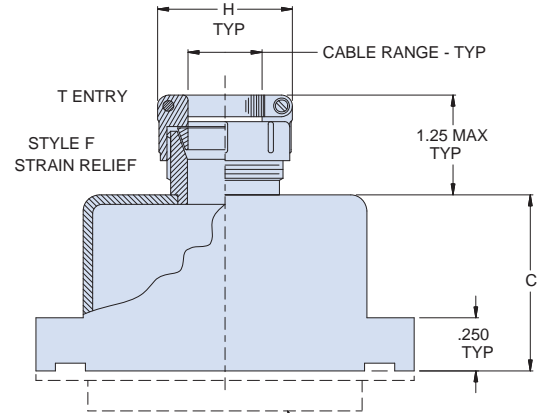
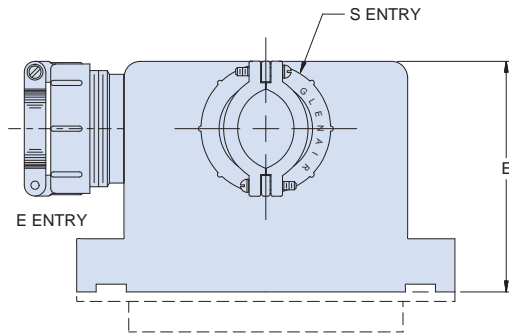
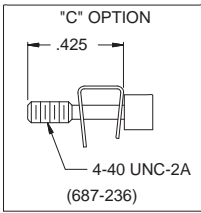
SPACE-GRADE MIL-DTL-24308 D-SUB BACKSHELLS

EMI/RFI Backshell with Cone and Ring Shield Termination (non-banding)

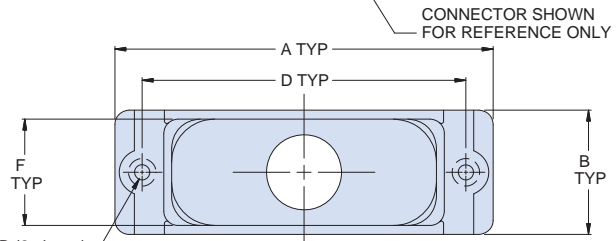
Solid shell, top or side cable entry · 557-387



How To Order						
Sample Part Number	557T387	M	2	F	03	C
Series	557T387 = Top entry 557S387 = Side entry 557E387 = End entry					
Finish Symbol	M = Electroless Nickel					
Shell Size	1, 2, 3, 4, 5, 6 (Table I)					
Strain Relief / Nut Option	F = Strain Relief Clamp G = Nut					
Cable Entry	02, 03, 04, 05 (Table II)					
Clip / Jackscrew Option	C = Supplied with Retainer Clips and Jackscrews Omit for none					



STYLE G NUT
Tapped for #4-40 UNC-2B (2 places).
When C option is ordered,
two cleared holes are supplied



CONNECTOR SHOWN FOR REFERENCE ONLY

D-SUBMINIATURE

Table II: Cable Entry Dash No.

Dash No.	H Max	J Max	Cable Range	
			Min	Max
02	.968 (24.59)	.781 (19.84)	.125 (3.18)	.250 (6.35)
03	1.046 (26.57)	.906 (23.01)	.250 (6.35)	.375 (9.52)
04	1.156 (29.36)	1.031 (26.19)	.312 (7.92)	.500 (12.70)
05	1.218 (30.94)	1.156 (29.36)	.437 (11.10)	.625 (15.88)

Table I: Shell Size

Shell Size	A Max	B	C	D ±.005 (.13)	E	F	Max Dash No.
1	1.25 (31.75)	.53 (13.46)	.75 (19.05)	.984 (24.99)	1.88 (47.75)	.43 (10.92)	03
2	1.58 (40.13)	.53 (13.46)	.75 (19.05)	1.312 (33.32)	1.88 (47.75)	.43 (10.92)	03
3	2.13 (54.10)	.53 (13.46)	1.00 (25.40)	1.852 (47.04)	1.88 (47.75)	.43 (10.92)	03
4	2.77 (70.36)	.53 (13.46)	1.00 (25.40)	2.500 (63.50)	1.88 (47.75)	.43 (10.92)	03
5	2.68 (68.07)	.66 (16.76)	1.25 (31.75)	2.406 (61.11)	2.13 (54.10)	.56 (14.22)	04
6	2.77 (70.36)	.73 (18.54)	1.25 (31.75)	2.500 (63.50)	2.22 (56.39)	.63 (16.00)	05

MATERIALS

Backshell, Clamp, Gland Nut, Ferrule: Aluminum alloy
Hardware: CRES/Passivated