

Shorting Can with Variable Height and Lanyard Attachment Options



557-493



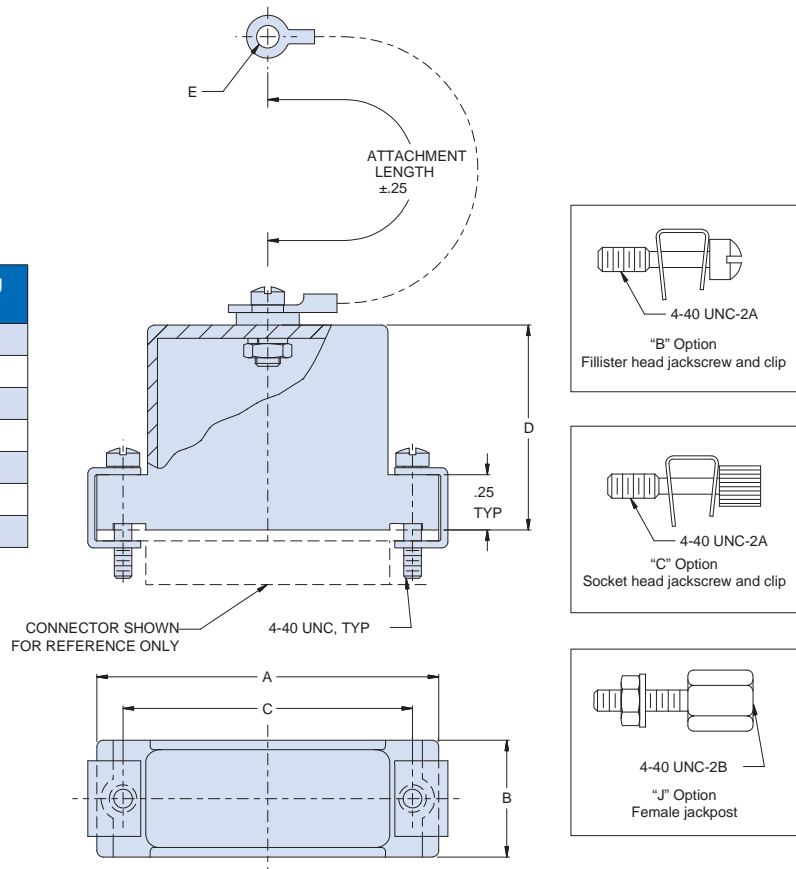
How To Order	
Sample Part Number	557-493 M 2 C 1 -6 H A
Series	557-493 Shorting Can Backshell
Finish Symbol	M = Electroless Nickel Z2 = Gold Plate
Shell Size	1, 2, 3, 4, 5, 6 (Table I)
Jackscrew Option	B = Fillister head jackscrew and clip C = Socket head jackscrew and clip J = Female jackpost
Height Code	1, 2, 3, 4, 5, 6, 7 (Table III)
Attachment Length	in 1/2 inch increments (e.g. -6 = 3 inches)
Attachment Symbol	(see Table IV)
Attachment Ring Diameter	(see Table V)

Shell Size	A Max	B	C ±.005 (0.13)
1	1.25 (31.75)	.53 (13.46)	.984 (24.99)
2	1.58 (40.13)	.53 (13.46)	1.312 (33.32)
3	2.13 (54.10)	.53 (13.46)	1.852 (47.04)
4	2.77 (70.36)	.53 (13.46)	2.500 (63.50)
5	2.68 (68.07)	.66 (16.76)	2.406 (61.11)
6	2.77 (70.36)	.73 (18.54)	2.500 (63.50)

Height Code	D
1	1.00 (25.40)
2	1.25 (31.75)
3	1.50 (38.10)
4	1.75 (44.45)
5	2.00 (50.80)
6	2.50 (63.50)
7	3.00 (76.20)

Symbol	E Dia
A	.145 (3.68)
B	.167 (4.24)
C	.182 (4.62)
D	.191 (4.85)
E	.125 (3.18)
F	.218 (5.54)

Symbol	Attachment Detail
D	Bead Chain, CRES/Passivate, with Terminal
F	Wire Rope, Nylon Jacket, with Terminal
G	Nylon Rope, with Terminal
H	Wire Rope, Teflon Jacket, with Terminal
N	no attachment
R	Wire Rope, PVC Jacket, with Terminal
S	#8 Sash Chain, CRES/Passivate
U	Wire Rope, Polyurethane Jacket, with Terminal



MATERIALS

Shorting Can: Aluminum alloy
Hardware: CRES / passivated