

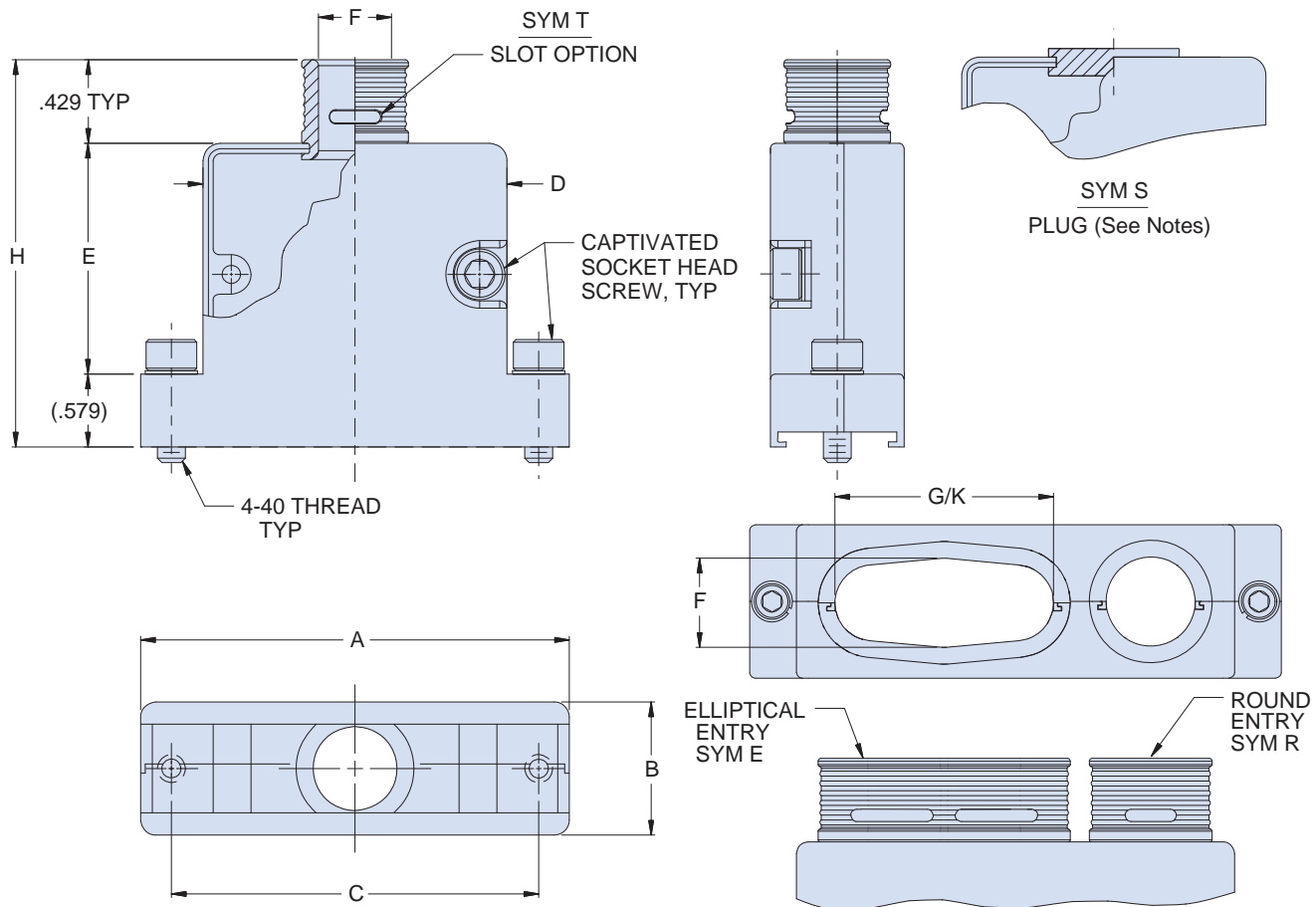
# SPACE-GRADE MIL-DTL-24308 D-SUB BACKSHELLS EMI/RFI Split Backshell, Aluminum or Composite with Split Removable Banding Porches



Split shell, round or elliptical, 1, 2, or 3 top cable entries - 557-609



How To Order	
<b>Sample Part Number</b>	557T609 M 4 R1 E1 S T K
<b>Series</b>	557T609 = Top entry split backshell
<b>Material/Finish</b>	M = Aluminum / Electroless Nickel XM = Composite Thermoplastic / Electroless Nickel
<b>Shell Size</b>	1, 2, 3, 4, 5, 6 (Table I)
<b>No. of Round Entries</b>	See Table I, <b>Omit</b> for none
<b>No. of Elliptical Entries</b>	See Table I, <b>Omit</b> for none
<b>Plug(s)</b>	Supplied in the same number and style as entries. <b>Omit</b> for none
<b>Slot(s)</b>	T = with slots <b>Omit</b> for none
<b>Band Option</b>	B = Band(s) supplied (600-052) K = Coiled Band(s) supplied (600-052-1) <b>Omit</b> for none



# SPACE-GRADE MIL-DTL-24308 D-SUB BACKSHELLS EMI/RFI Split Backshell, Aluminum or Composite with Split Removable Banding Porches



Split shell, round or elliptical, 1, 2, or 3 top cable entries · 557-609

Table I: Shell Size								
Shell Size	A	B	C ±.005 (.13)	D	E Max	F Max	G*	H Max
1	1.213 (30.81)	.630 (16.00)	.984 (24.99)	.728 (18.49)	1.300 (33.02)	.315 (8.00)	N/A	2.308 (58.62)
2	1.535 (38.99)	.630 (16.00)	1.312 (33.32)	1.059 (26.90)	1.300 (33.02)	.315 (8.00)	N/A	2.308 (58.62)
3	2.087 (53.01)	.630 (16.00)	1.852 (47.04)	1.598 (40.59)	1.520 (38.61)	.315 (8.00)	.575 (14.60)	2.528 (64.21)
4	2.728 (69.29)	.630 (16.00)	2.500 (63.50)	2.248 (57.10)	1.520 (38.61)	.315 (8.00)	1.225 (31.12)	2.528 (64.21)
5	2.638 (67.01)	.750 (19.05)	2.406 (61.11)	2.192 (55.68)	1.520 (38.61)	.433 (11.00)	1.051 (26.70)	2.528 (64.21)
6	2.728 (69.29)	.787 (19.99)	2.500 (63.50)	2.248 (57.10)	1.520 (38.61)	.470 (11.94)	1.070 (27.18)	2.528 (64.21)

\*Dimension G is the maximum elliptical width when used with one round entry. Not applicable with Shell size 1 and 2

Table I: Shell Size (continued)		
Shell Size	Max Number of Round Entries	K Max Width of a Single Elliptical Entry
1	1	N/A
2	1	.661 (16.79)
3	2	1.200 (30.48)
4	3	1.850 (46.99)
5	3	1.794 (45.57)
6	3	1.850 (46.99)

## NOTES

1. When ordering round and/or elliptical entries, enter the style and number. (eg. for 1 round entry, use R1, for 2 round entries, use R2.) For elliptical entries, use E1 or E2.
2. If ordered, plugs will be provided in the same number and style as there are entries.

## MATERIALS

Backshell, Entries, Plugs: Aluminum or Composite Thermoplastic / Electroless Nickel finish  
Hardware: CRES / passivated