

# Glenair Improved Designs for Removable-Entry and Cable Clamp Rectangular Backshells



557-652 and 557-653 (with IS-Sommer cross-reference)

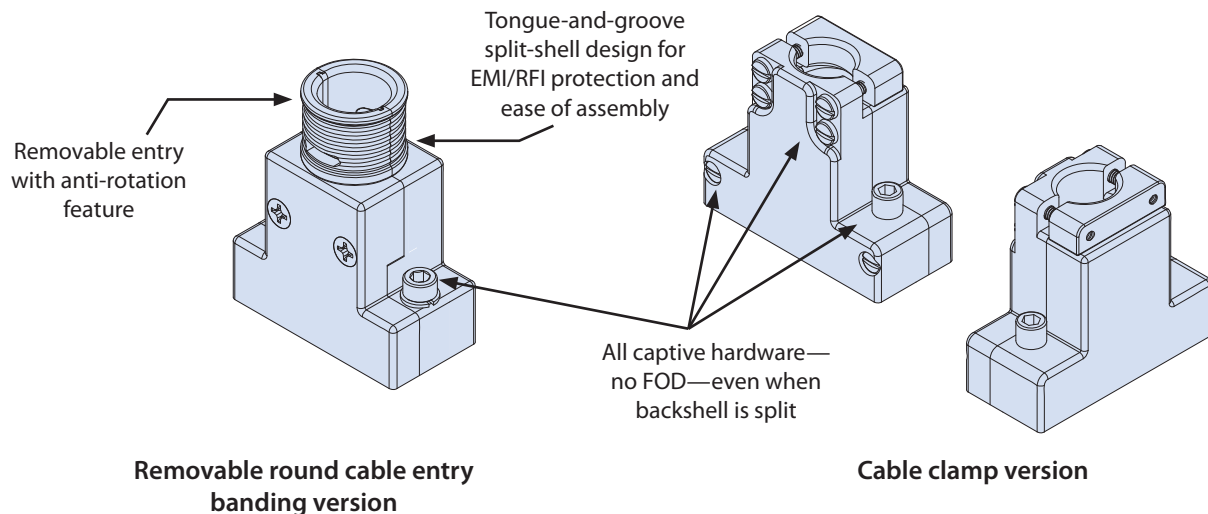
IS-Sommer rectangular connector accessories utilize a two-piece design with a separable band platform and loose/removable hardware. Glenair design improvements to this standard deliver serious performance in space and other high-performance application environments. Importantly, Glenair backshells of this type feature only captive hardware. Even when the two-piece backshell is split for assembly around the wired connector, Glenair hardware remains captive to the backshell body, eliminating the risk of FOD in sensitive space applications.

The architecture of the Glenair split shell design incorporates a sliding tongue-and-groove for superior EMC performance and ease of use. Also, unlike competitor solutions, the separable cable entry piece is captive when the backshell is assembled, and stays in position with an anti-rotation feature.

Glenair split-shell cable-clamp backshells likewise feature all captive hardware and a low-profile saddle-bar cable clamp. In general, the Glenair design facilitates faster, safer, trouble-free cable assembly.

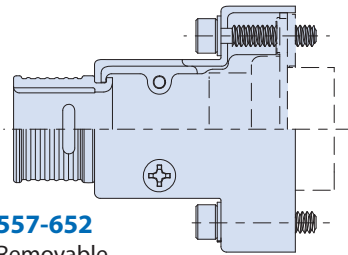
Contact Glenair for detailed drawings and dimensional details.

## GLENAIR IMPROVED DESIGN SPACE-GRADE BACKSHELL FEATURES: ROUND ENTRY BANDING AND CABLE-CLAMP VERSIONS

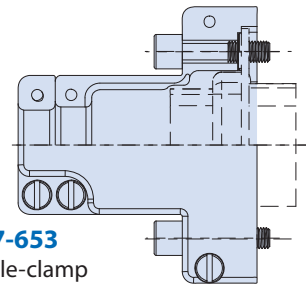


# Glenair Improved Designs for Removable-Entry and Cable Clamp Rectangular Backshells

557-652 and 557-653 (with IS-Sommer cross-reference)



**557-652**  
Removable  
round-entry  
banding



**557-653**  
Cable-clamp

Glenair 557 Series Backshell to Sommer Cross-Reference	
<b>557-652 Removable Round Entry Split Backshell</b>	
Glenair Part Number	Sommer Part Number
557-652M106CC1	DW-214-09-1-6-9315
557-652M206CC1	DW-214-15-2-6-9316
557-652M306CC1	DW-214-25-3-6-9317
557-652M406CC1	DW-214-37-4-6-9318
557-652M507CC1	DW-214-50-5-6-9319
557-652M608CC1	Shell Size 6 not available
<b>557-653 Cable Clamp Split Backshell, Rear Wall Mount</b>	
Glenair Part Number	Sommer Part Number
557-653M1CC1	DW-214-09-1-6-0011
557-653M2CC1	DW-214-15-2-6-0012
557-653M3CC1	DW-214-25-3-6-0013
557-653M4CC1	DW-214-37-4-6-0014
557-653M5CC1	DW-214-50-5-6-0015
557-653M6CC1	DW-214-104-6-6-0016

D-SUBMINIATURE