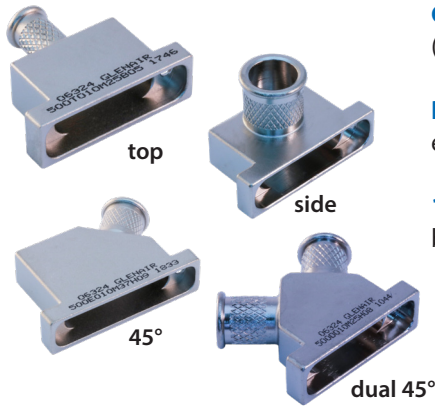


SPACE-GRADE MICRO-D BACKSHELLS

Lightweight EMI/RFI Banding Backshell



Solid shell, round cable entry
Top, side, 45°, and dual 45° entry options - 500-010



Glenair's Most Popular Micro-D Backshell is stocked in all sizes. Choose straight (top), side, 45°, or dual 45° cable entry.

Rugged One-Piece Aluminum Shell with stainless steel hardware, available in electroless nickel or gold plating.

17-7PH Stainless Steel Clips attach the backshell to the connector. These backshells accept standard and micro Band-Master ATS® shield termination straps.

How To Order EMI/RFI Backshells					
Sample Part Number	500T010 M 25 H 08 S				
Series	500T010 - Top Entry	500S010 - Side Entry	(See Table III)		
	500E010 - 45° Entry	500D010 - Dual 45°			
Shell Finish	M - Electroless Nickel Z2 - Gold				
Shell Size	09, 15, 21, 25, 31, 37, 51, 51-2, 67, 69, 100 (See Table III)				
Hardware Option	Screwlocks B - (2) Fillister Head Screwlocks H - (2) Hex Head Screwlock E - (2) Extended Screwlock (styles T and S only) F - (2) Jackpost, Female N - No Hardware		Jackscrews BJ - (2) Male Fillister Head Jackscrew HJ - (2) Hex Socket Jackscrew EJ - Extended Jackscrew (styles T and S only) Mixed FB - (1) Female Jackpost, (1) Male Fillister Head FH - (1) Female Jackpost, (1) Male Hex Socket		
Cable Entry Code	04 - .125 (3.2) 09 - .281 (7.1)	05 - .156 (4.0) 10 - .312 (7.9)	06 - .188 (4.8) 11 - .344 (8.7)	07 - .219 (5.6) 12 - .375 (9.5)	08 - .250 (6.4) (See Table I)
Qwik-Ty Option	S - with Qwik-Ty strain relief Omit for none				
Band-Master ATS® EMI Band Strap Option	Omit (Leave Blank) - Band Not Included		Standard Band - .250" Wide B - Uncoiled Band Included K - Coiled Band Included Micro Band - .125" Wide M - Uncoiled Band Included L - Coiled Band Included		

Shell Size	Style E	Style D	Style S	Style T
9	08	06	09	09
15	08	08	12	10
21	08	08	12	10
25	08	08	12	10
31	09	09	12	10
37	09	09	12	10
51	10	10	12	10
51-2	09	09	12	10
67	09	09	12	10
69	10	10	12	10
75	10	10	12	10
100	12	12	12	12
130	12	12	12	12

Cable Size	P ±.015		R Dia. Max	
	In. ± .015	mm. ± 0.38	In.	mm.
04	.125	3.2	.296	7.5
05	.156	4.0	.327	8.3
06	.188	4.8	.359	9.1
07	.219	5.6	.390	9.9
08	.250	6.4	.421	10.7
09	.281	7.1	.452	11.5
10	.312	7.9	.484	12.3
11	.344	8.7	.515	13.1
12	.375	9.5	.546	13.7

MATERIALS/FINISH

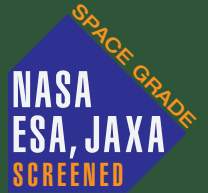
Backshell: Aluminum alloy
Hardware: CRES / passivated

SPACE-GRADE MICRO-D BACKSHELLS

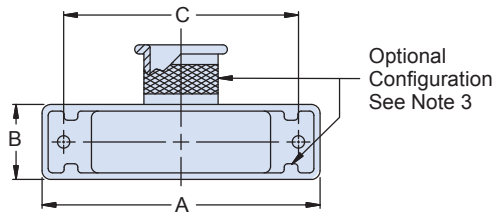
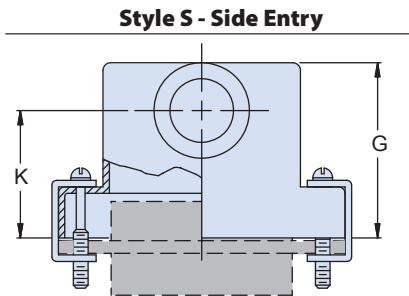
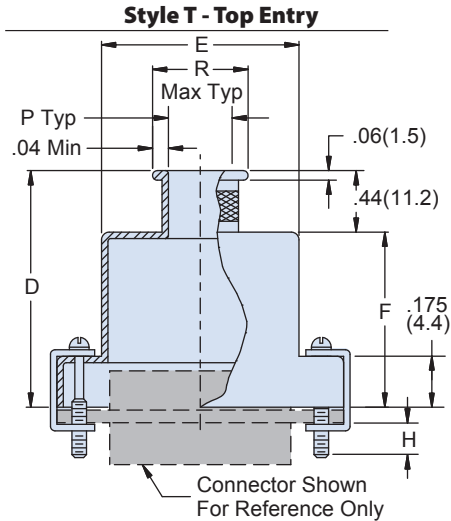
Lightweight EMI/RFI Banding Backshell

Solid shell, round cable entry

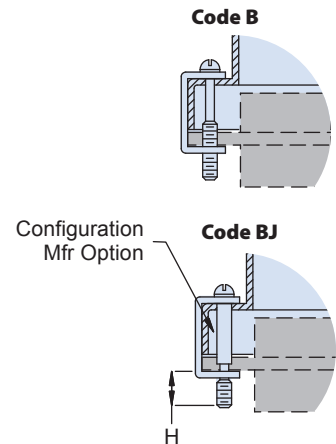
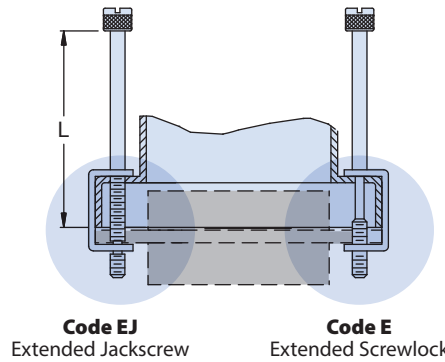
Top, side, 45°, and dual 45° entry options · 500-010



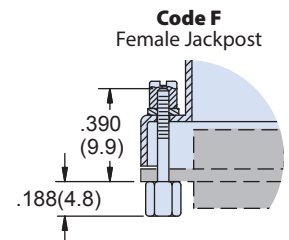
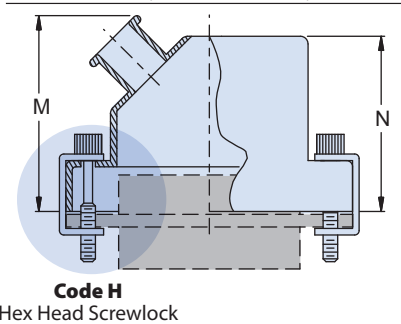
MICRO-D



Available for Style T and S Only



Style E - 45° Entry



Style D - 45° Dual Entry

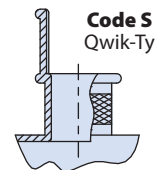
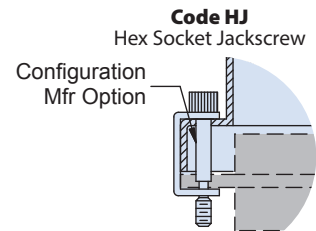
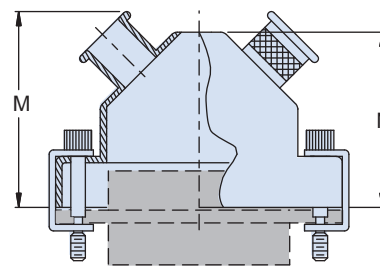


Table III: Dimensions

Size	A Max.		B Max.		C		D Max.		E Max.		F Max.		G Max.		H Ref	J Thread	K		L Max.		M Max.		N Max.		
	In.	mm.	In.	mm.	In.	mm.	In.	mm.	In.	mm.	In.	mm.	In.	mm.			In.	mm.	In.	mm.	In.	mm.	In.	mm.	In.
09	.850	21.59	.370	9.40	.565	14.35	.780	19.81	.410	10.41	.350	8.89	.637	16.18	.154	3.9	2-56 UNC-2	.435	11.05	1.040	26.42	1.000	25.40	.680	17.27
15	1.000	25.40	.370	9.40	.715	18.16	.910	23.11	.580	14.73	.470	11.94	.673	17.09	.154	3.9	2-56 UNC-2	.440	11.2	1.170	29.72	1.030	26.16	.730	18.54
21	1.150	29.21	.370	9.40	.865	21.97	1.030	26.16	.740	18.80	.590	14.99	.707	17.95	.154	3.9	2-56 UNC-2	.458	11.63	1.290	32.77	1.050	26.67	.765	19.43
25	1.250	31.75	.370	9.40	.965	24.51	1.090	27.69	.850	21.59	.650	16.51	.748	19.00	.154	3.9	2-56 UNC-2	.483	12.27	1.350	34.29	1.090	27.69	.830	21.08
31	1.400	35.56	.370	9.40	1.115	28.32	1.150	29.21	.980	24.89	.710	18.03	.756	19.20	.154	3.9	2-56 UNC-2	.476	12.09	1.420	36.07	1.130	28.70	.890	22.61
37	1.550	39.37	.370	9.40	1.265	32.13	1.190	30.23	1.130	28.70	.750	19.05	.774	19.66	.154	3.9	2-56 UNC-2	.478	12.14	1.450	36.83	1.230	31.24	.955	24.26
51	1.500	38.10	.410	10.41	1.215	30.86	1.220	30.99	1.080	27.43	.780	19.81	.859	21.82	.154	3.9	2-56 UNC-2	.548	13.91	1.480	37.59	1.250	31.75	1.005	25.53
51-2	1.910	48.51	.370	9.40	1.615	41.02	1.220	30.99	1.510	38.35	.780	19.81	.859	21.82	.154	3.9	2-56 UNC-2	.548	13.91	1.480	37.59	1.250	31.75	1.005	25.53
67	2.310	58.67	.370	9.40	2.015	51.18	1.220	30.99	1.880	47.75	.780	19.81	.859	21.82	.154	3.9	2-56 UNC-2	.548	13.91	1.480	37.59	1.250	31.75	1.005	25.53
69	1.810	45.97	.410	10.41	1.515	38.48	1.220	30.99	1.380	35.05	.780	19.81	.859	21.82	.154	3.9	2-56 UNC-2	.548	13.91	1.480	37.59	1.250	31.75	1.005	25.53
75	2.140	54.36	.410	10.41	1.705	43.31	1.220	30.99	1.375	34.93	.780	19.81	.859	21.82	.184	4.7	4-40 UNC-2	.548	13.91	1.480	37.59	1.250	31.75	1.005	25.53
100	2.235	56.77	.460	11.68	1.800	45.72	1.280	32.51	1.470	37.34	.840	21.34	1.014	25.76	.184	4.7	4-40 UNC-2	.687	17.45	1.580	40.13	1.320	33.53	1.080	27.43
130	2.595	65.92	.460	11.68	2.160	54.86	1.280	32.51	1.830	46.48	.840	21.34	1.014	25.76	.184	4.7	4-40 UNC-2	.687	17.45	1.580	40.13	1.320	33.53	1.080	27.43