

061-003

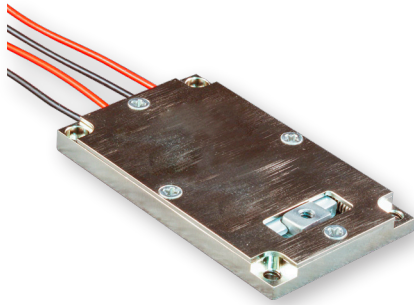
Light-duty hold-down release mechanisms

30 lb. (Stainless Steel) release preload
Electrically Redundant

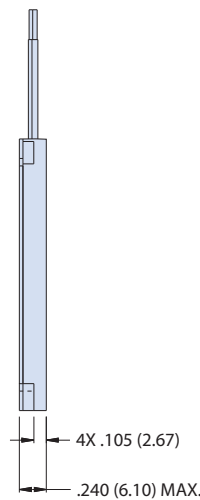
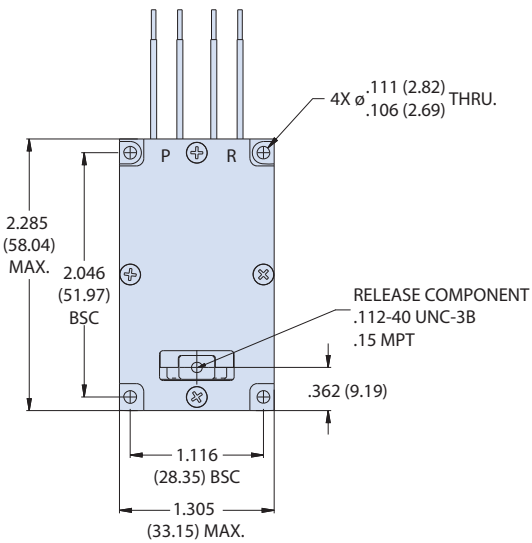


A

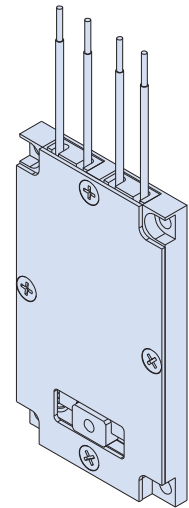
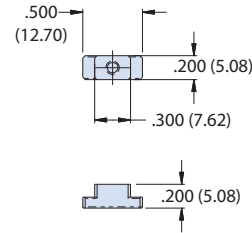
ELECTRICALLY REDUNDANT HOLD DOWN RELEASE MECHANISM, LIGHT DUTY



How To Order		
Sample Part No.	061	-003
Basic Part No.	Light/Medium Duty HDRM	
Dash No.	Redundant Circuit	



RELEASE COMPONENT ENVELOPE



NOTES

- Unit is identified with Glenair name, CAGE code, part number, and date code, space permitting. Primary initiation circuit identified with "P" and redundant with "R".
- Release preload 30 lbs. (133 N)
- Full qualification pending
- Reference Glenair P/N 060-103 for refurbishment initiator
- Metric threads available, consult factory for options

Physical characteristics	
Mass	27.8 grams nominal weight
Release component thread	0.112-40 UNC-3B*
Material list	IAW MSFC-STD-3029
Epoxy	Outgassing requirements per GSC19384
Device features	
Redundant initiation	2 initiation points
Field refurbishable	Initiator can be replaced in less than 15 minutes by trained personnel
Packaging	External housing typically supplied with two mounting points. Custom housings and mountings available
Connectorization	Standard design supplied with wire inputs. Consult factory for connectorization options
Scalable bolt size	Bolt size determines preload and can be scaled to accommodate a wide range of requirements
*Size callout based on the bolt size to be used. Metric thread also available. Consult factory for qualification test report.	