

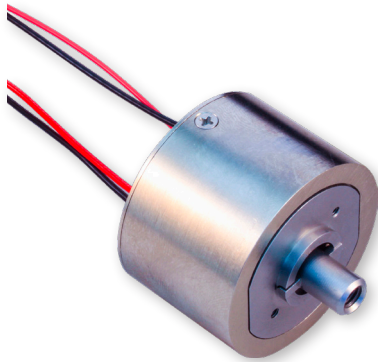
061-006

Medium-duty hold-down release mechanism

1000 lb. release preload
Electrically redundant

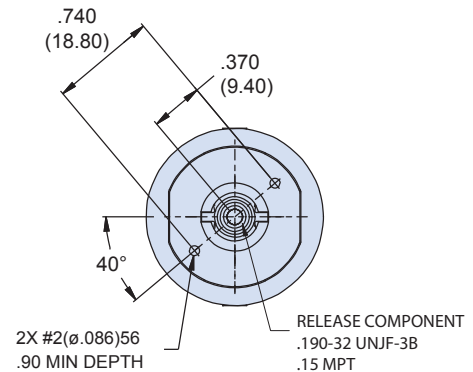
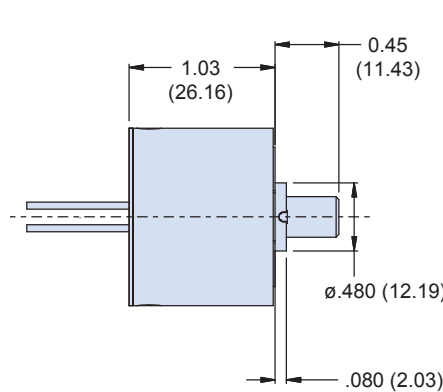
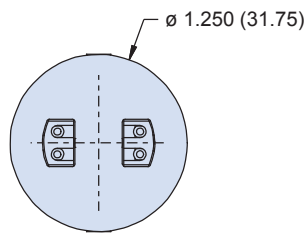
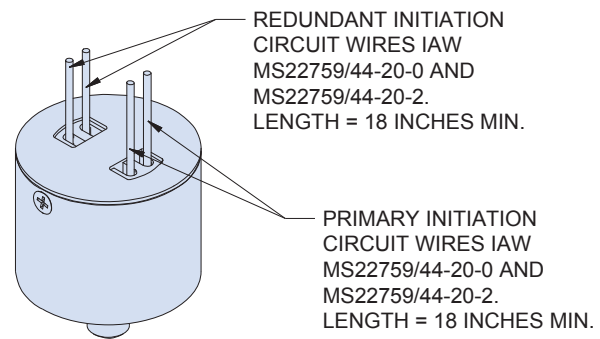


A



ELECTRICALLY REDUNDANT HOLD DOWN RELEASE MECHANISM, MEDIUM DUTY

| How To Order | | |
|-----------------|------------------------|------|
| Sample Part No. | 061 | -006 |
| Basic Part No. | Light/Medium Duty HDRM | |
| Dash No. | Redundant Circuit | |



NOTES

- Unit is identified with Glenair name, CAGE code, part number, and date code, space permitting. Primary initiation circuit identified with "P" and redundant with "R".
- Release preload 1000 lbs. (4.5 kN) on similar model, contact factory
- Qualification complete
- Reference Glenair P/N 060-106 for refurbishment initiator
- Metric threads available, consult factory for options

| Physical characteristics | |
|---|---|
| Mass | 45.2 grams approximate weight |
| Release component thread | 0.190-32 UNJF-3B* |
| Material list | IAW MSFC-STD-3029 |
| Epoxy | Outgassing requirements per GSC19384 |
| Device features | |
| Redundant initiation | 2 initiation points |
| Field refurbishable | Initiator can be replaced in less than 15 minutes by trained personnel |
| Reliability prediction | 0.9999994 (based off scaled design) |
| Packaging | External housing typically supplied with two mounting points. Custom housings and mountings available |
| Connectorization | Standard design supplied with wire inputs. Connectorized versions available |
| Scalable bolt size | Bolt size determines preload and can be scaled to accommodate a wide range of requirements |
| *Size callout based on the bolt size to be used. Metric thread also available. Consult factory for qualification test report. | |

061-006

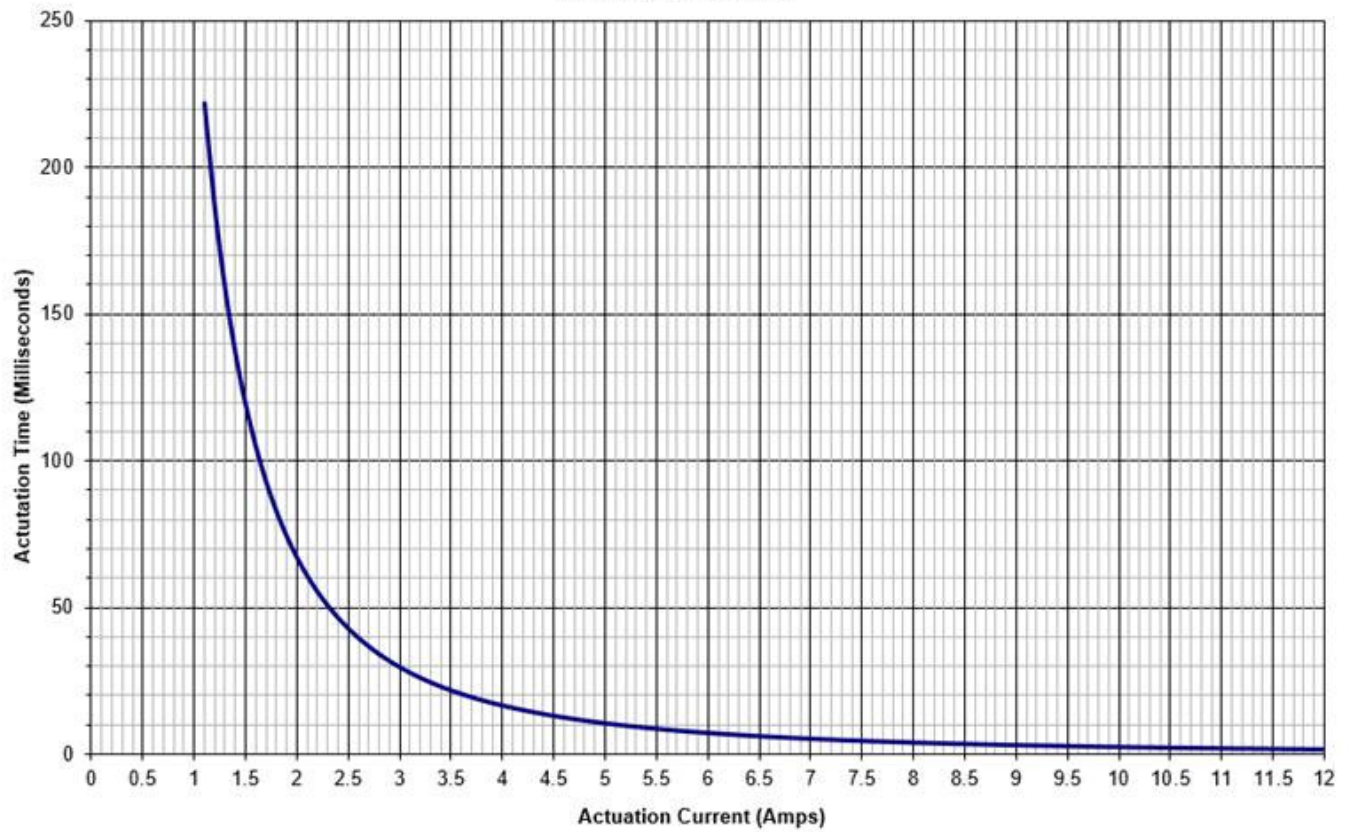
Medium-duty hold-down release mechanism

1000 lb. release preload

Actuation curve



Actuation Curve for 061-006 Mechanism
(nominal conditions)



A