

062-002

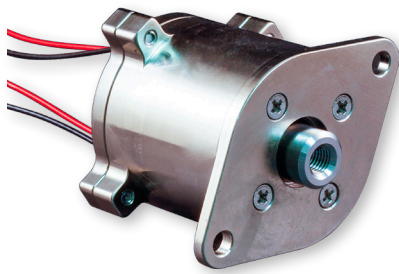
# Heavy-duty hold-down release mechanism

5000 lb. release preload  
Electrically redundant

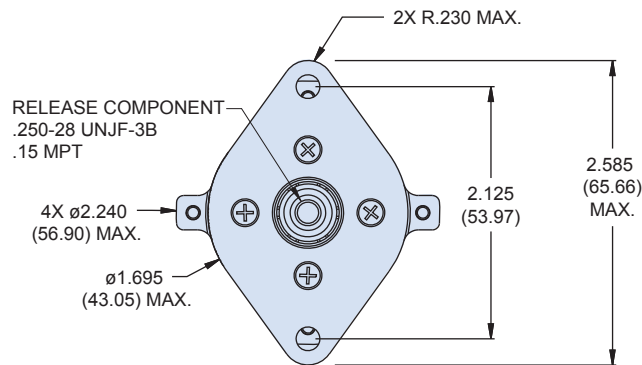
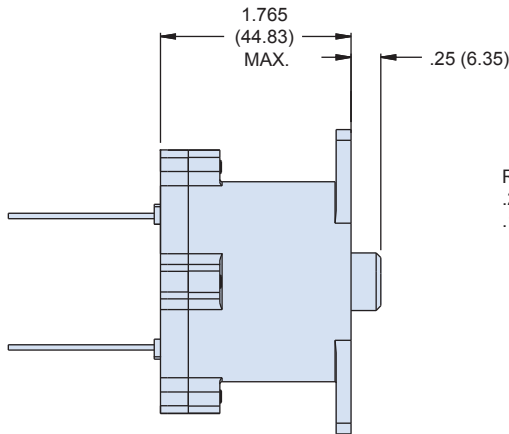
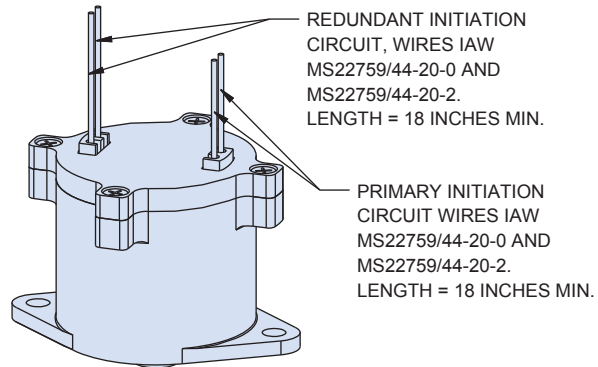


A

## ELECTRICALLY REDUNDANT HOLD DOWN RELEASE MECHANISM, HEAVY DUTY



How To Order		
Sample Part No.	062	-002
Basic Part No.	Heavy Duty HDRM	
Dash No.	Redundant Circuit	



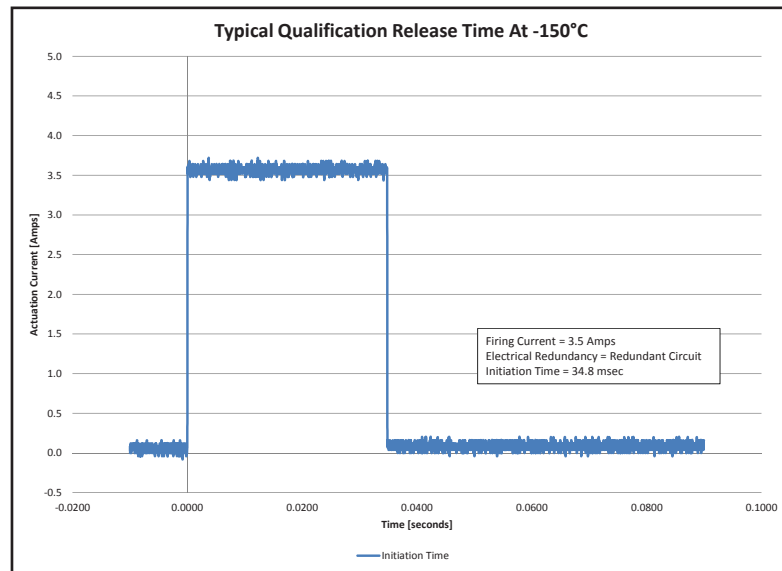
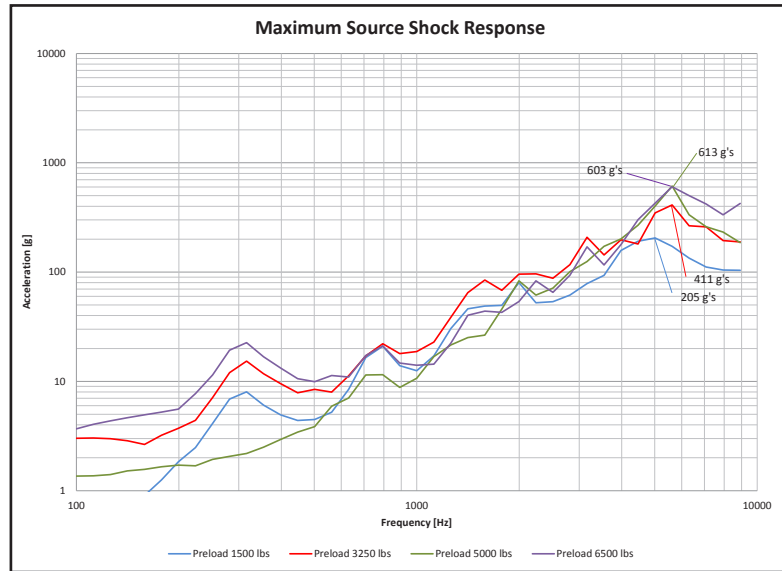
Available 069-201 mechanical release for use in place of refurbishment initiator. Consult factory for application notes.

Physical characteristics	
Mass	241 grams nominal weight with 18 inch lead wire included
Release component thread	0.250-28 UNJF-3B*
Material list	IAW MSFC-STD-3029
Epoxy	Outgassing requirements per GSC19384
Device features	
Redundant initiation	2 initiation points
Field refurbishable	Initiator can be replaced in less than 15 minutes by trained personnel
Reliability prediction	0.9999995
Packaging	External housing typically supplied with two mounting points. Custom housings and mountings available
Connectorization	Standard design supplied with wire inputs. Connectorized versions available
Scalable bolt size	Bolt size determines preload and can be scaled to accommodate a wide range of requirements
*Size callout based on the bolt size to be used. Metric thread also available.	
Complete test report available upon request	

# Heavy-duty hold-down release mechanism

5000 lb. release preload

Summary of qualification test data



## NOTES

1. Unit is identified with Glenair name, CAGE code, part number, and date code, space permitting. Primary initiation circuit identified with "P" and redundant with "R".
2. Release preload 5000 lbs. (22.4 kN)
3. Reference Glenair P/N 060-202 for refurbishment initiator
4. Qualification test complete
5. Metric threads available, consult factory for options

Tested capability for 1/4 inch unit*	
Nominal Release Preload	5,000 pounds
Proof Preload	6,500 pounds
Ultimate Load	8,000 pounds
Electrical resistance	1.50 ohms Max
Random vibration: 3 orthogonal axes	50.9 G <sub>rms</sub>
Sine vibration: 3 orthogonal axes	25 G's
Actuation time	Under 45 ms @ 3.5 Amps
Source shock	Under 625 G's @ 5,000 pounds
Life test	10 refurbishments during qualification and an expected continued usage
Temperature	-150°C to +150°C released in a vacuum (1x10 <sup>-6</sup> Torr)

\*The size callout is based off the bolt size that is to be used. Metric thread can also be called out. Complete test report available upon request