

063-001

Heavy-duty hold-down release mechanisms

8750 lb. release preload
Redundant circuit

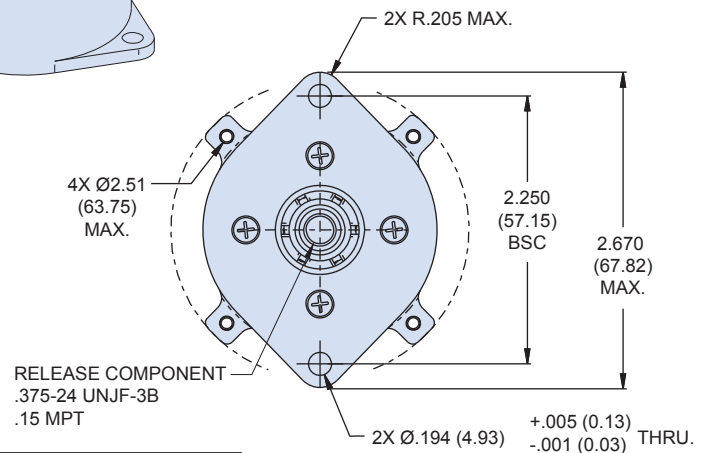
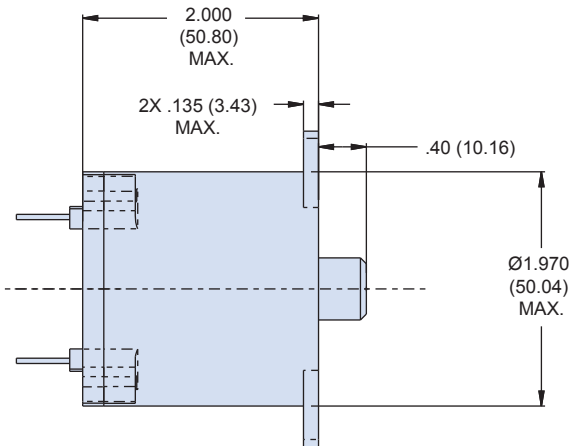
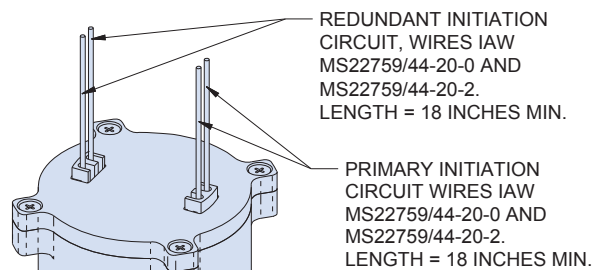


REDUNDANT CIRCUIT HOLD DOWN RELEASE MECHANISM, HEAVY DUTY

A



How To Order		
Sample Part No.	063	-001
Basic Part No.	Heavy Duty HDRM	
Dash No.	Redundant Circuit	



Physical characteristics	
Mass	335 grams approximate weight
Bolt	0.375-24 UNJF-3B*
Material list	IAW MSFC-STD-3029
Epoxy	Outgassing requirements per GSC19384
Device features	
Redundant initiation	2 initiation points
Field refurbishable	Initiator can be replaced in less than 15 minutes by trained personnel
Reliability prediction	0.9999995 (based off scaled design)
Packaging	External housing typically supplied with two mounting points. Custom housings and mountings available
Connectorization	Standard design supplied with wire inputs. Connectorized versions available
Scalable bolt size	Bolt size determines preload and can be scaled to accommodate a wide range of requirements

*Size callout based on the bolt size to be used. Metric thread also available. Consult factory for qualification test report.

NOTES

- Unit is identified with Glenair name, CAGE code, part number, and date code, space permitting. Primary initiation circuit identified with "P" and redundant with "R".
- Release preload: 8,750 lbs. (38.9 kN)
Proof load: 12500 lbs. (55.6 kN)
Ultimate preload: 16500 lbs. (73.4 kN) min.
- Full qualification pending
- Reference Glenair P/N 060-301 for refurbishment initiator
- Metric threads available, consult factory for options