

Space-grade, connectors

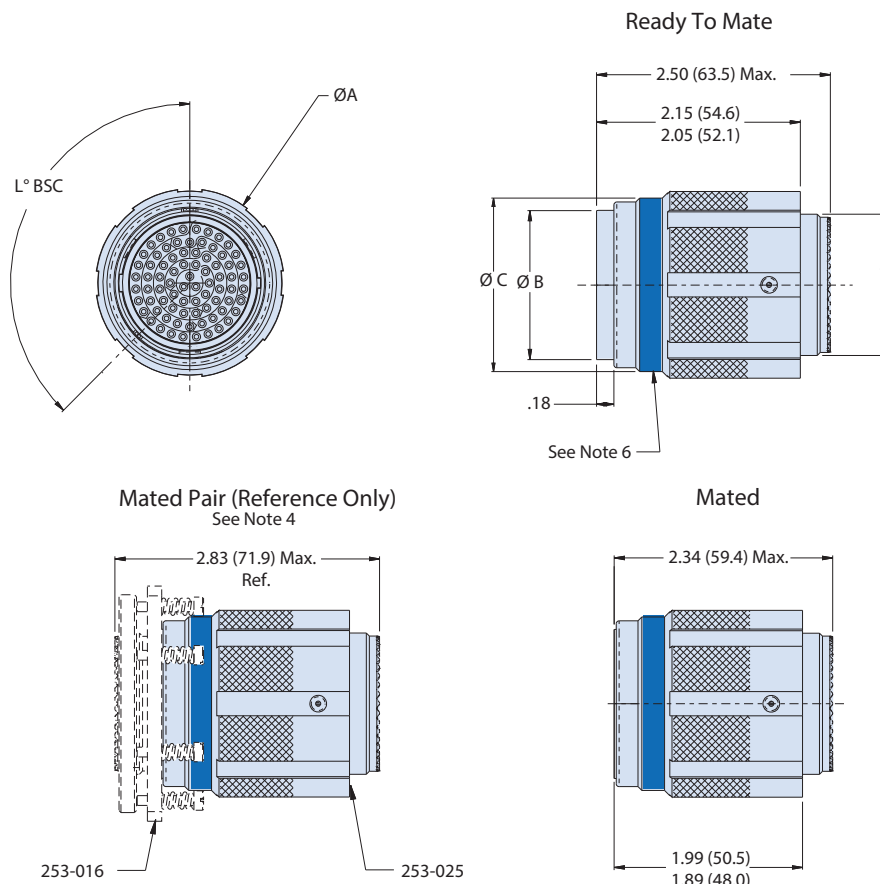
MIL-DTL-38999 Series III Type Connectors

Locking circuit and test mate plug connector

Part Number Development									
Sample Part Number	253-025				-G6	ME	23-43	P	N
Series / Basic Part No.	253-025 = Locking circuit and test mate connector								
Connector Mounting	-G6 = In-line								
Material/Finish	ME = Aluminum, electroless nickel MT = Aluminum, nickel PTFE			ZL = CRES, electrodeposited nickel Z1 = CRES, passivated					
Shell Size-Insert Arrangement*	Per MIL-STD-1560								
Contact Type	P = Pin, crimp removable S = Socket, crimp removable			A = Pin insert less contacts B = Socket insert less contacts					
Alternate Polarization*	A = 40°, B = 65°, C = 80°, D = 210°, E = 250°, F = 280°, G = 310°, H = 330°, N = 135° (Normal) Per L° Basic. Refers to blind mate side. Plug side per MIL-DTL-38999. See alternate polarizations table								

*Refer to C-5 to C-12 for insert arrangements.
For Space-Grade modification codes see pages C-3 thru C-4. Modification codes may be added directly to the end of any valid part number

253-025 LOCKING CIRCUIT AND TEST MATE CONNECTOR, MATES WITH 253-016 PLUG



Dimensions				
Shell Size	Ø A Max	Ø B	Ø C	T Thd 1.0-6g -0.100R
17	1.55 (39.37)	1.10 (27.94)	1.29 (32.77)	M25
25	2.05 (52.07)	1.54 (39.12)	1.79 (45.47)	M37

NOTES:

- Material/ finish:
 - Shell, coupling ring, segments - see part number development, finish
 - Insulators - high grade rigid dielectric / N.A.
 - Contacts - copper alloy / gold plated
- Connector mates with Glenair 253-016 series connector, having the same insert arrangement and polarization.
- Insert arrangement is in accordance with MIL-STD-1560 arrangements only. Contact manufacturer for availability.
- Connector mated with Glenair 253-016 is shown for reference only.
- See Space-Grade guidelines material, in this section, for outgassing and screening options available
- Blue color band indicates rear release contact retention system