

Space-grade, blind mate connectors

MIL-DTL-38999 Series III Type Space-Grade Connectors

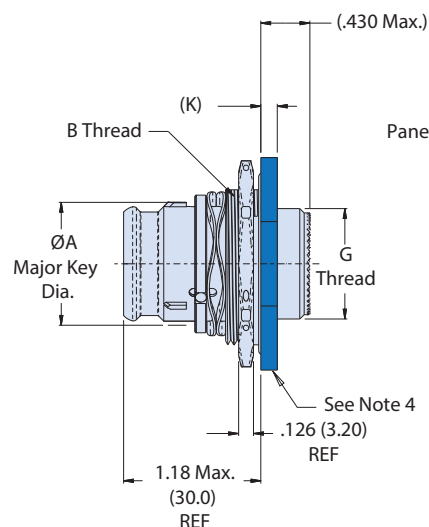
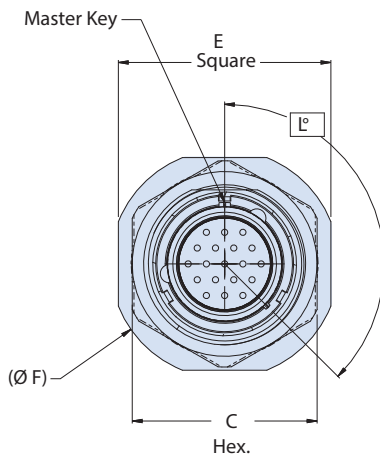
Float mount flange plug, rack and panel connector, misalignment capabilities

Part Number Development									
Sample Part Number	253-031				-07	ME	25-35	P	N
Series / Basic Part No.	253-031 Blind-mate plug with non-adjustable assisted separation								
Connector Mounting	-07 = Floating flange mount plug								
Material/Finish	ME = Aluminum, electroless nickel MT = Aluminum, nickel PTFE			ZL = CRES, electrodeposited nickel Z1 = CRES, passivated					
Shell Size-Insert Arrangement*	Per MIL-STD-1560								
Contact Type	P = Pin, crimp removable S = Socket, crimp removable			A = Pin insert less contacts B = Socket insert less contacts					
Alternate Polarization*	A = 40°, B = 65°, C = 80°, D = 210°, E = 250°, F = 280°, G = 310°, H = 330°, N = 135° (Normal) Per L° BSC. Refers to blind mate side.								

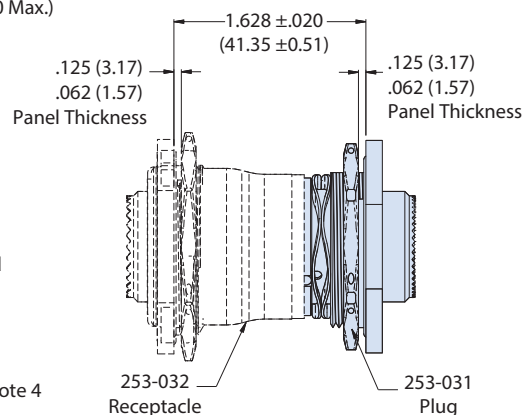
*Refer to section A for complete details. Refer to Space-Grade Guidelines material (IAW NASA EEE INST-002) for outgassing and screening modification codes, on pages 60 and 61. Modification codes may be added directly to the end of any valid part number

253-031 SEALED BLIND-MATE FLOAT MOUNT FLANGE PLUG WITH CRIMP CONTACTS AND ACCESSORY THREADS

07 - Receptacle, Jam Nut Mount



Mated Jam Mount Connectors



*Dimensions shown are for reference only and not intended to be verified during final inspection

NOTES:

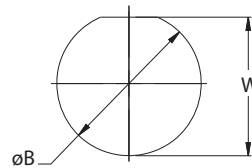
- Connector mates with Glenair 253-032 series connector, having the same insert arrangement and polarization.
- Insert arrangement is in accordance with MIL-STD-1560 arrangements only. Contact manufacturer for availability.
- See Space-Grade guidelines material, in this section, for outgassing/screening options available
- Blue color band indicates rear release contact retention mechanism.
- Kick-off spring is not intended to offset all of the contact retention force for each insert arrangement
- Misalignment capability possible when mated with 253-032
- Material/ finish:
 - Shell, jam-nut: see part number development table, finish
 - Insulators: high grade rigid dielectric / N.A.
 - Contacts: copper alloy/gold plated
 - O-ring: fluorosilicone blend / N.A.

Space-grade, blind mate connectors

MIL-DTL-38999 Series III Type Space-Grade Connectors

Float mount flange plug, rack and panel connector, misalignment capabilities

Dimensions							
Shell Size	ØA Max	Thd B Class 2A	C Max	E ±.016(0.4)	ØF Max	G Thd Class 2A	K .011/-.010 (.28/.25)
11	.673 (17.09)	1.0000-20 UNEF	1.181 (30.00)	1.375 (34.92)	1.511 (38.38)	.5625-24	.109 (2.77)
13	.798 (20.27)	1.1250-18 UNEF	1.300 (33.02)	1.500 (38.10)	1.636 (41.55)	.6875-24	.109 (2.77)
15	.923 (23.44)	1.2500-18 UNEF	1.457 (37.01)	1.625 (41.28)	1.761 (44.73)	.8125-20	.109 (2.77)
17	1.048 (26.62)	1.3750-18 UNEF	1.575 (40.00)	1.812 (46.02)	1.949 (49.50)	.9375-20	.140 (3.56)
19	1.173 (29.79)	1.5000-18 UNEF	1.693 (43.00)	1.938 (49.23)	2.073 (52.65)	1.0625-18	.140 (3.56)
21	1.298 (32.97)	1.6250-18 UNEF	1.811 (46.00)	2.062 (52.37)	2.200 (55.88)	1.1875-18	.140 (3.56)
23	1.423 (36.14)	1.7500-18 UNS	2.016 (51.21)	2.187 (55.55)	2.323 (59.00)	1.3125-18	.140 (3.56)
25	1.548 (39.32)	1.8750-16 UNS	2.125 (53.97)	2.312 (58.72)	2.448 (62.18)	1.4375-18	.140 (3.56)



Recommended Panel Cutout		
Shell Size	Ø B .010/-.000 (0.25/.00)	W +.000/-.010 (.00/-.25)
11	1.010	0.955
13	1.135	1.085
15	1.260	1.210
17	1.385	1.335
19	1.510	1.460
21	1.635	1.585
23	1.760	1.710
25	1.885	1.835