

BACKSHELLS AND ACCESSORIES
FOR AS81703 SERIES 3 TYPE CONNECTORS
E-Nut (Self-Locking and Non-Self-Locking)



AS85049/31, MS3416 and MIL-DTL-85723/15N

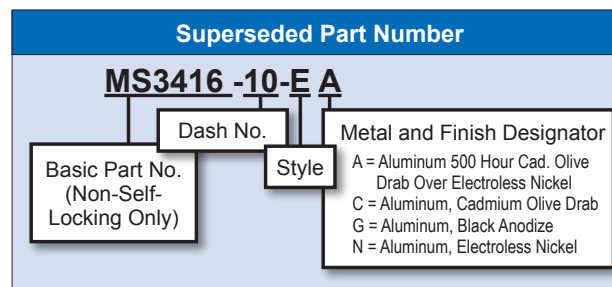
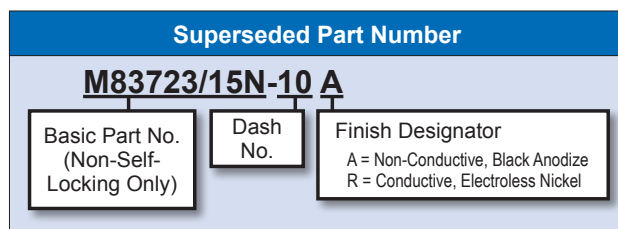
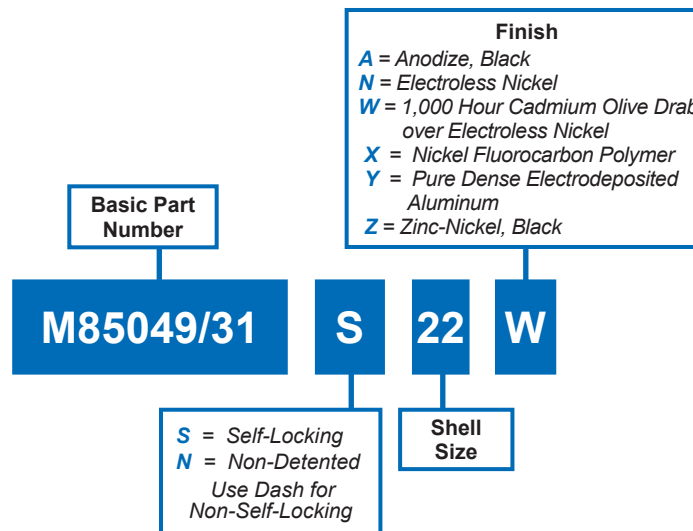
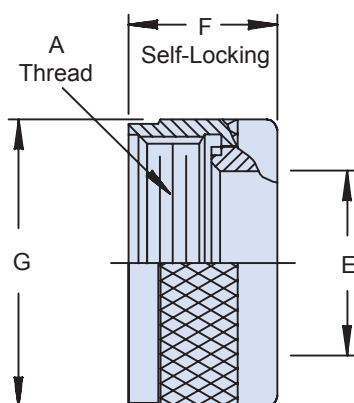


TABLE I: Shell Size, Thread and Dimensions

Shell Size	A Thread Class 2B	Ø E Max		F Max		Ø G Max	
3	.562 - 24 UNEF	.270	(6.9)	--	--	--	--
7	.750 - 20 UNEF	.511	(13.0)	.710	(18.0)	1.135	(28.8)
12	.875 - 20 UNEF	.585	(14.9)	.710	(18.0)	1.260	(32.0)
19	1.000 - 20 UNEF	.710	(18.0)	.710	(18.0)	1.385	(35.2)
27	1.062 - 18 UNEF	.789	(20.0)	.710	(18.0)	1.510	(38.4)
37	1.188 - 18 UNEF	.914	(23.2)	.710	(18.0)	1.635	(41.5)
61	1.500 - 18 UNEF	1.194	(30.3)	--	--	--	--

NOTES

1. For complete dimensions see the applicable Military Specification.
2. Metric dimensions (mm) are in parentheses.