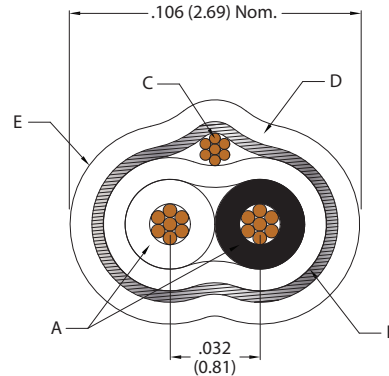


## 100 Ohm Differential Twisted Pair Cable with Drain, #28 AWG 963-057-28

Optimized for



High-bandwidth applications up to 8 GHz



### 963-057-28

- -65 to +200 °C rated operating temperature
- FEP jacket, FEP insulation
- Shield: Aluminized Kapton tape

### NOTES

- Cable identified with manufacturer's name and part number.
- Cable is sold in 1 foot increments. Specify desired length on purchase order.

#### Cable Construction

A.	Primary Conductor	28 AWG 7/36 SCA
	Primary Insulation	FEP (Color: White, Black)
B.	Insulation	ePTFE Tape
C.	Drain Wire	30 AWG 7/38 SCA
D.	Shield	Aluminized Kapton Tape (Foil-Side In), 100% Coverage
E.	Jacket	FEP, White
Bend Radius: 0.6" min.		
Weight: 2.2 g/ft., nom.		

#### Electrical Performance

Dielectric Withstanding Voltage (VRMS)	600V AC
Differential Impedance	100 ± 6 Ohm
Insertion Loss	See Table 1
Skew	4 ps / Ft., nom.

#### Environmental Properties

Temperature Range	-65°C to 200°C
-------------------	----------------

Table 1: Attenuation

Frequency (GHz)	dB / ft Typical	dB / ft Maximum
1.0	0.3	0.4
2.5	0.6	0.7
5	0.8	1.0
7.5	1.1	1.3
10	1.3	1.5