

SERIES 80

# Mighty Mouse Connectors

with SpeedMaster™ 10G high-speed contacts  
Locking Push/Pull Connectors - How To Order



### Quick Disconnect

These plugs snap securely into receptacle housings and release with a simple pull.

### Full Mating Indicators

Audible, visual and tactile full mate indicators and simple push/pull action allow for quick, easy mating even in low-light situations,

Part Number Development					
Sample Part Number	824-010-01 MT P A -1				
Series and Shell Style	824-009-06 = Plug with Shrink Boot Groove 824-010-01 = In-line Receptacle with Boot Groove 824-010-00 = Front Panel Mount, Jam Nut Receptacle with Boot Groove 824-010-07 = Rear Panel Mount, Jam Nut Receptacle with Boot Groove See shell style table				
Shell Material and Finish	ME = Aluminum alloy / electroless nickel MT = Aluminum alloy / nickel-PTFE, RoHS compliant ZN = Aluminum alloy / olive drab zinc-nickel over electroless nickel ZNU = Aluminum alloy / black zinc nickel over electroless nickel				
Module Type	P = Pin      S = Socket      A = Less contacts; see note 1				
Alternative Polarization	A, B, C, D, E				
Cable Size	See cable size table; Omit when ordering pre-wired contact modules				

Alternate Positions		
	Plug (Key)	Receptacle (Keyway)
Pos.	A°	B°
A	140	220
B	30	220
C	30	250
D	110	330
E	140	330

Shell Style	
824-009-06 Plug with Shrink Boot Groove	824-010-00 FPM Jam Nut, Receptacle with Shrink Boot Groove
824-010-01 In-Line Receptacle with Shrink Boot Groove	824-010-07 RPM Jam Nut Receptacle with Shrink Boot Groove



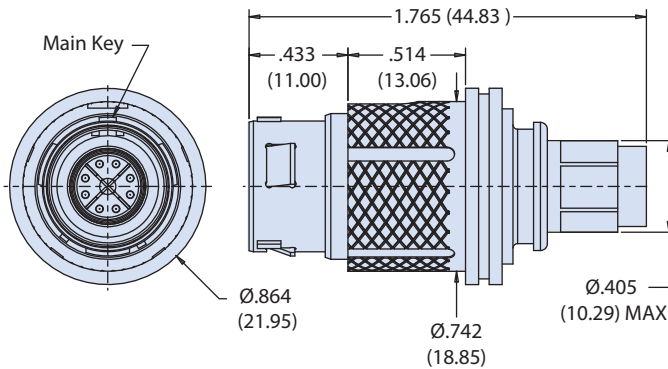
SERIES 80



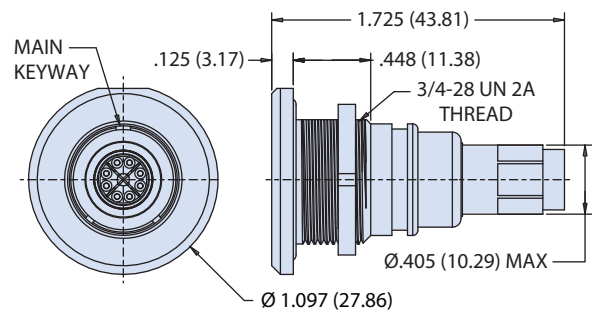
# Mighty Mouse Connectors with SpeedMaster™ 10G high-speed contacts

## Locking Push/Pull Connectors - Dimensions

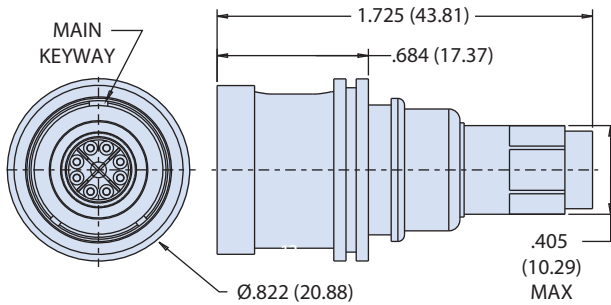
### PLUG SHELL STYLE 824-009-06



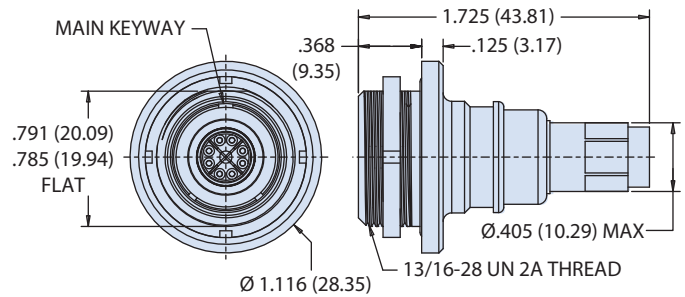
### FRONT PANEL MOUNT, JAM NUT REPTACLE SHELL STYLE 824-010-00



### IN-LINE RECEPTACLE SHELL STYLE 824-010-01



### JAM NUT, REAR PANEL MOUNT RECEPTACLE SHELL STYLE 824-010-07



Cable Size Options (See note 5)	
Cable Size	Cable Diameter
1	.280 (7.11)
2	.274 (6.96)
3	.260 (6.60)
4	.250 (6.35)
5	.240 (6.10)
6	.230 (5.84)
7	.220 (5.59)

Cables*					
Cable P/N	Cable Category	Cable Construction	Wire Gage	Cable Dia.	Assembly Instructions
963-003-24	Cat 6A	SF/UTP	24	.280 (7.11)	AI85082
963-003-26	Cat 6A	SF/UTP	26	.220 (5.59)	
963-037	Cat 6A	SF/UTP	24	.260 (6.60)	

\*Contact factory to inquire about use with other cables

### NOTES

- Spare high-speed modules (858-100 and 858-101) may be ordered separately. Module wrench tool (607-011) supplied with each connector. Select the "less contacts (A)" option when ordering pre-terminated cable to SpeedMaster contacts listed on page 6 and 7. Omit cable size from part number development when selecting the "less contact" option from the module type of the part number development.
- See assembly instruction AI85082 for high-speed module terminations. See assembly instructions AI85087 for module installation.
- See cable size table for available cable size options. For cable in-between sizes select smaller size. Maximum cable diameter is .280
- See page 8 for SpeedMaster module inner contact pinout.
- Material / finish:
  - Shell: see part number development
  - Canted coil spring: copper alloy/gold
  - Latch sleeve: BeCu Alloy/electroless nickel
  - O-rings: fluorosilicone / N.A.
  - Shrink boot: LSZH / N.A.