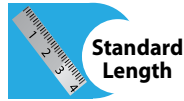
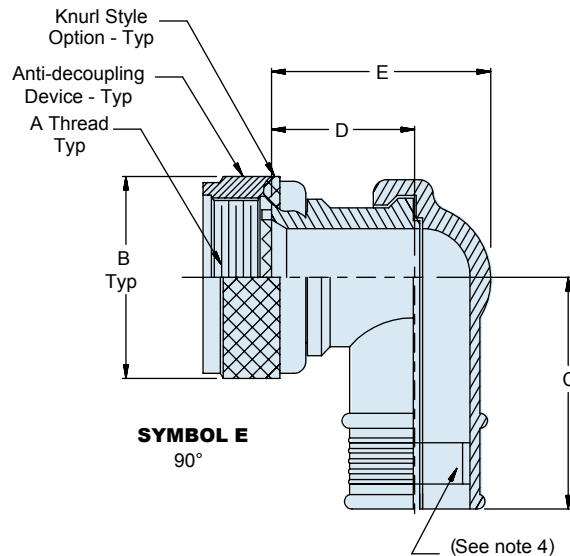
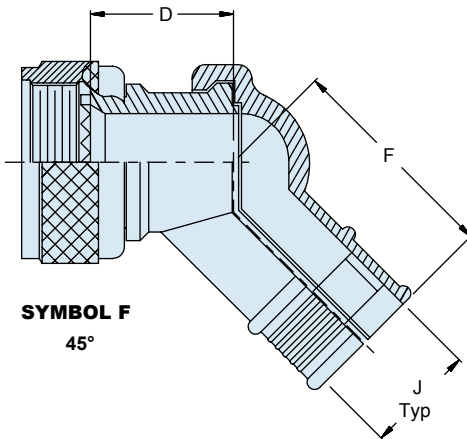
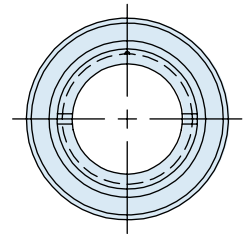
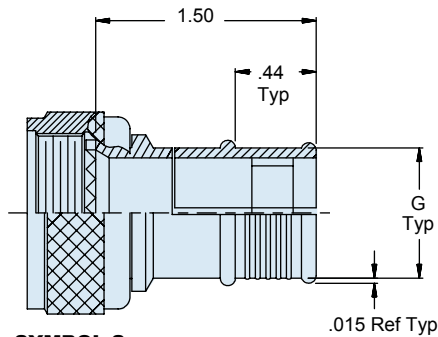
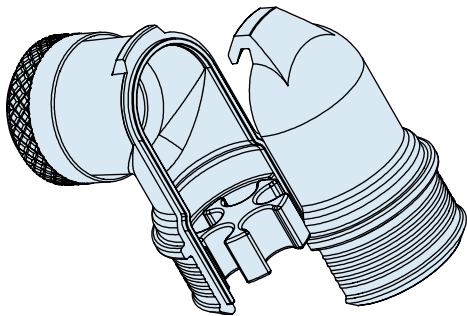
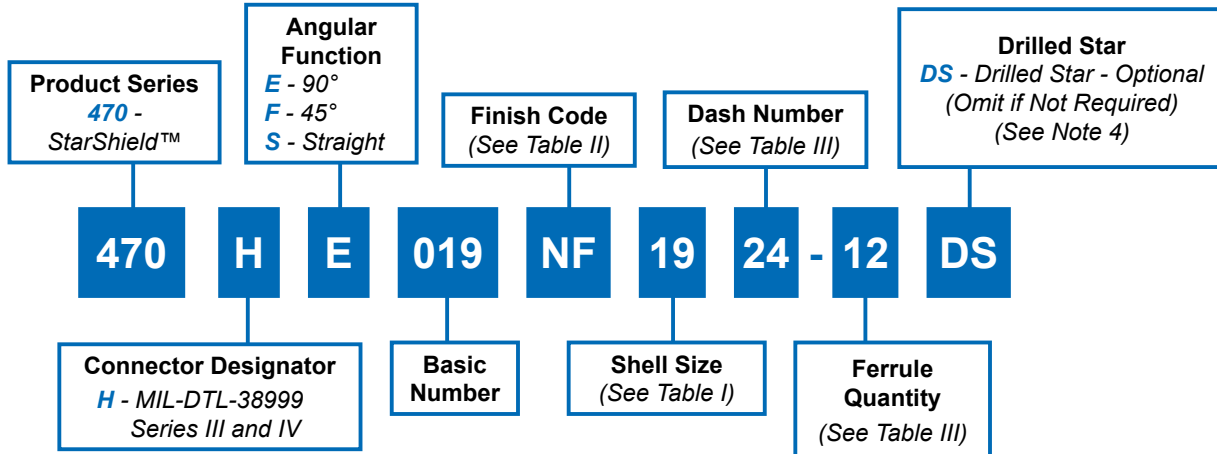




470-019
StarShield™ EMI/RFI Split Termination Backshell
for MIL-DTL-38999 Series III and IV Connectors



StarShield™ split shell, high ferrule count backshell with self-locking coupling



Dimensions in inches (millimeters) and are subject to change without notice.

470-019
StarShield™ EMI/RFI Split Termination Backshell
 for MIL-DTL-38999 Series III and IV Connectors



Shell Size	A Thread ISO Metric	B Max	C Max	D Max	E Max	F Max	Max Entry
09	M12 X 1.0 - 6H	.940 (23.9)	1.995 (50.7)	1.030 (26.2)	1.339 (34.0)	1.405 (35.7)	14
11	M15 X 1.0 - 6H	1.060 (26.9)	2.055 (52.2)	1.100 (27.9)	1.465 (37.2)	1.435 (36.4)	14
13	M18 X 1.0 - 6H	1.170 (29.7)	2.125 (54.0)	1.160 (29.5)	1.589 (40.4)	1.465 (37.2)	18
15	M22 X 1.0 - 6H	1.290 (32.8)	2.185 (55.5)	1.220 (31.0)	1.715 (43.6)	1.485 (37.7)	24
17	M25 X 1.0 - 6H	1.420 (36.1)	2.245 (57.0)	1.310 (33.3)	1.901 (48.3)	1.515 (38.5)	24
19	M28 X 1.0 - 6H	1.540 (39.1)	2.265 (57.5)	1.370 (34.8)	2.025 (51.4)	1.535 (39.0)	24
21	M31 X 1.0 - 6H	1.670 (42.4)	2.405 (61.1)	1.370 (34.8)	2.025 (51.4)	1.565 (39.8)	28
23	M34 X 1.0 - 6H	2.010 (51.1)	2.435 (61.8)	1.440 (36.6)	2.152 (54.7)	1.595 (40.5)	28
25	M37 X 1.0 - 6H	2.120 (53.8)	2.495 (63.4)	1.560 (39.6)	2.403 (61.0)	1.615 (41.0)	32

Code	Material; Finish Description
M	Aluminum; electroless nickel
MT	Aluminum; nickel - PTFE
NF	Aluminum; CAD/O. D. over electroless nickel
ZN	Aluminum; zinc nickel/O. D. over electroless nickel
ZR	Aluminum; zinc nickel/black over electroless nickel (RoHS)
ZRC	Aluminum; zinc nickel over electroless nickel (RoHS)
Z1	Stainless steel; passivate
ZM	Stainless steel; electroless nickel

Dash No.	G Ref	J Ref	Ferrule Quantity (See Note 4)		
			Std.	DS	Opt.
10	.630 (16.0)	.470 (11.9)	2	-	-
14	.870 (22.1)	.710 (18.0)	5	5	-
18	1.170 (29.7)	1.010 (25.7)	7	7	-
24	1.420 (36.1)	1.260 (32.0)	12	12	13/14/15/17
28	1.730 (43.9)	1.570 (39.9)	22	14	14/25
32	1.940 (49.3)	1.780 (52.2)	28	18	18/31

Notes:

1. Assembly identified with manufacturer's name, part number and date code, space permitting.
2. For effective grounding, connector with conductive finish should be used.
3. Glenair 600 Series Backshell Assembly Tools are recommended for assembly and installation.
4. Drilled star is available on Table III.
5. Ferrule kit sold separately.
 687-764 ferrule and HST device kit
 687-809 ferrule and sealing device kit
 687-748 solder ferrule
 687-841-01 HST flex device

Backshell, coupling nut and star	Al alloy/Table III
Anti-decoupling device	Corrosion resistant material

Dimensions in inches (millimeters) and are subject to change without notice.