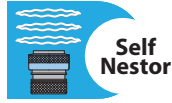




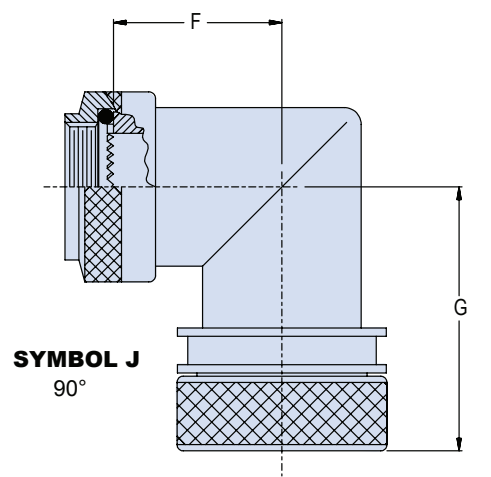
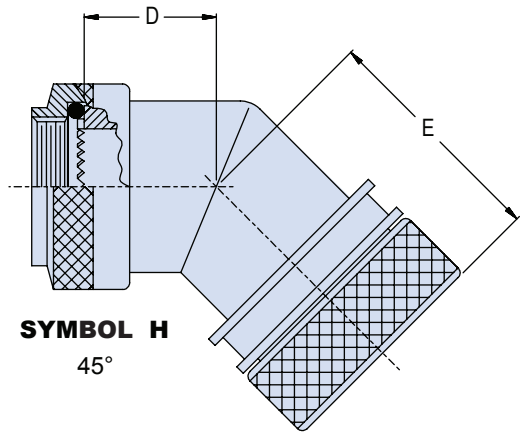
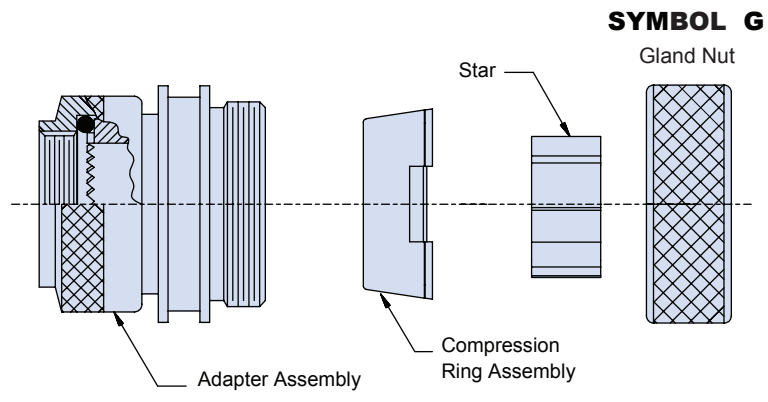
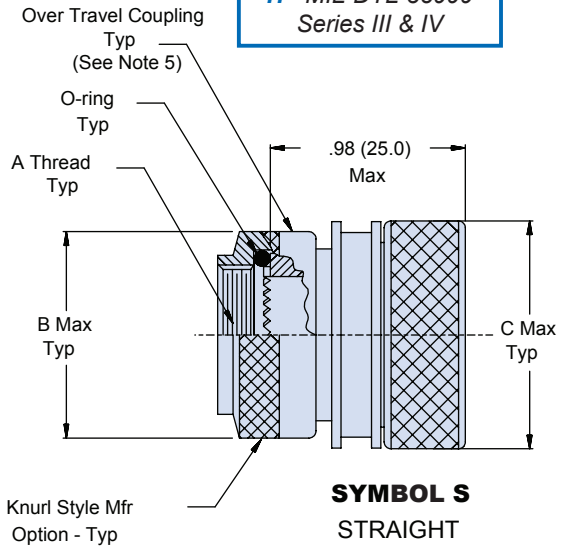
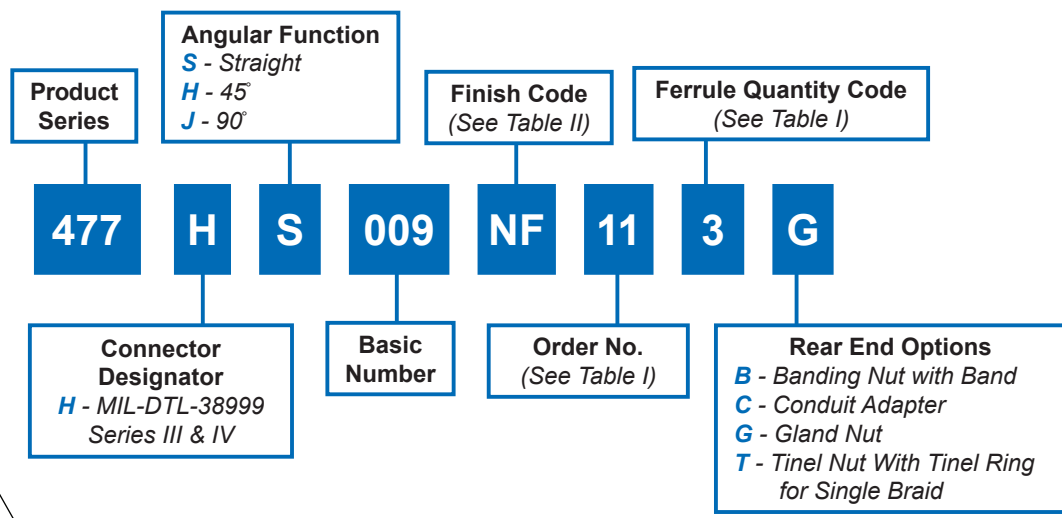
477-009

StarShield™ EMI/RFI Shield Termination Backshell
For MIL-DTL-38999 Series III & IV Connectors



StarShield™ environmental backshell with self-nestor and rear end options

B



Dimensions in inches (millimeters) and are subject to change without notice.

477-009
StarShield™ EMI/RFI Shield Termination Backshell
 For MIL-DTL-38999 Series III & IV Connectors



Table I: Dimensions

Order No	Connector Shell Size Ref	A Thread ISO Metric	B Dia Max	C Dia Max	D Max	E Max	F Max	G Max	J Thread ISO Metric	K ± .004 (0.10)	Ferrule Quantity
11	B/11	M15 x 1 - 6H	.87 (22.0)	.85 (21.5)	.51 (13.0)	1.02 (26.0)	.69 (17.5)	1.20 (30.5)	M18 X 1 - 6g	.591 (15.00)	3

Table II: Material and Finish Options

Code	Material; Finish Description
M	Aluminum; electroless nickel
MT	Aluminum; nickel - PTFE
NF	Aluminum; CAD/O. D. over electroless nickel
ZN	Aluminum; zinc nickel/O. D. over electroless nickel
ZR	Aluminum; zinc nickel/black over electroless nickel (RoHS)
Z1	Stainless steel passivate
ZM	Stainless steel/electroless nickel

Material/Finish:

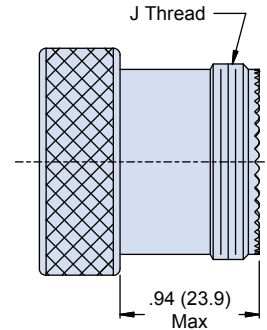
Backshell, Elbows, Coupling & Gland Nut, Compression Ring, Star	Al alloy or CRES/Table II
O-Ring	Silicone/n.a.
Band	CRES/passivate

Notes:

1. Assembly identified a manufacturer's name and P/N, space permitting.
2. For effective grounding, connector with conductive finish should be used.
3. Glenair 600 series backshell assembly tools are recommended for assembly and installation.
4. Shrink boot reference part number 770-001S106
5. Over-travel coupling design provides self-seating & self-locking functionality eliminating lock-wire requirements.
6. Ferrules sold separately. See part number 687-858 in this catalog.
7. Ferrule kit sold separately.
 687-764 ferrule and HST device kit
 687-809 ferrule and sealing device kit
 687-748 solder ferrule
 687-841-01 HST flex device

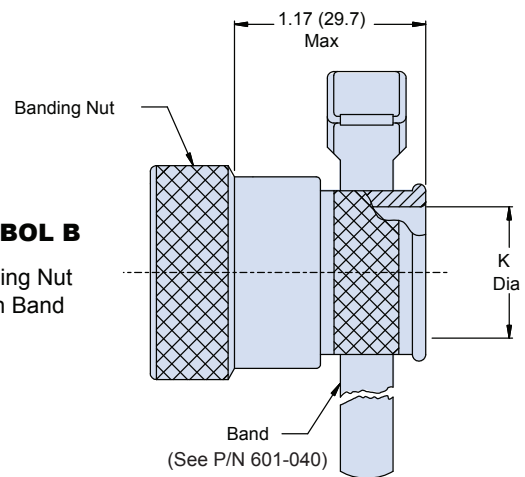
SYMBOL C

Conduit Adapter



SYMBOL B

Banding Nut with Band



Dimensions in inches (millimeters) and are subject to change without notice.