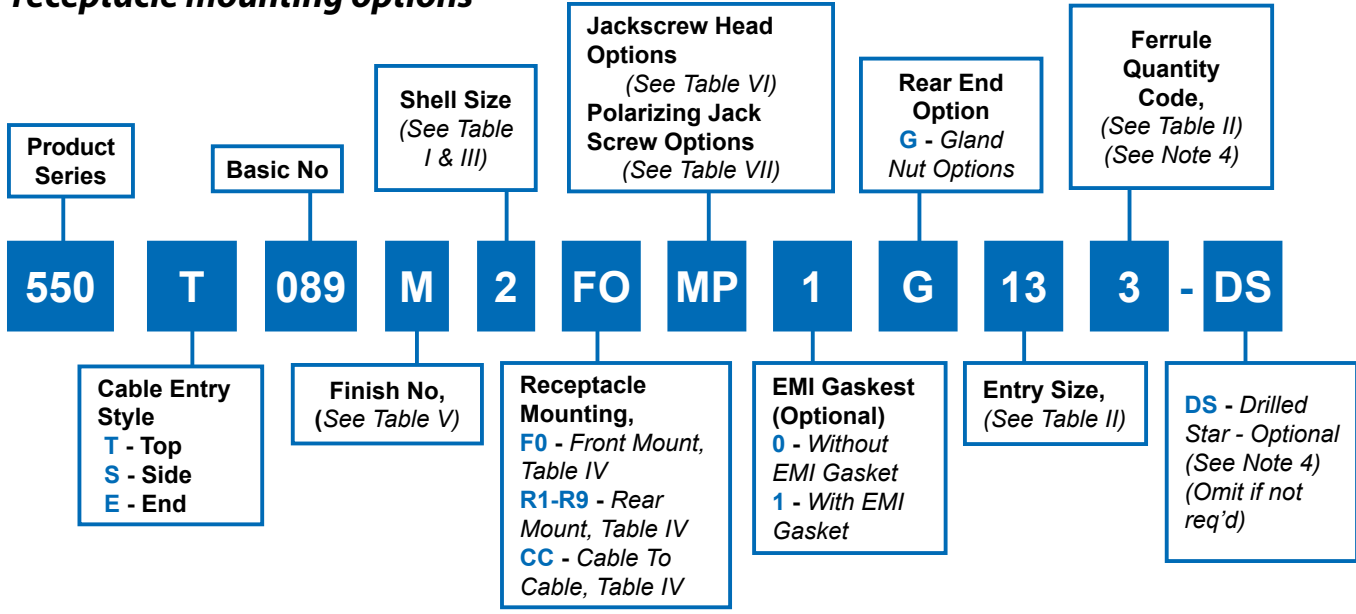
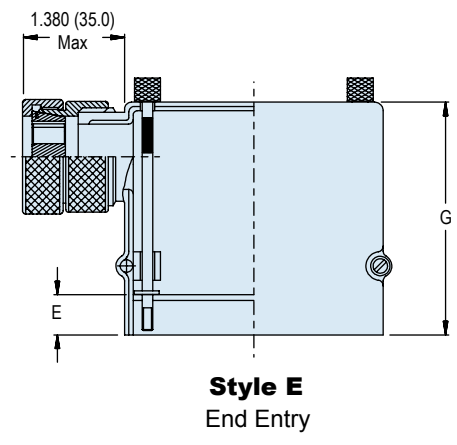
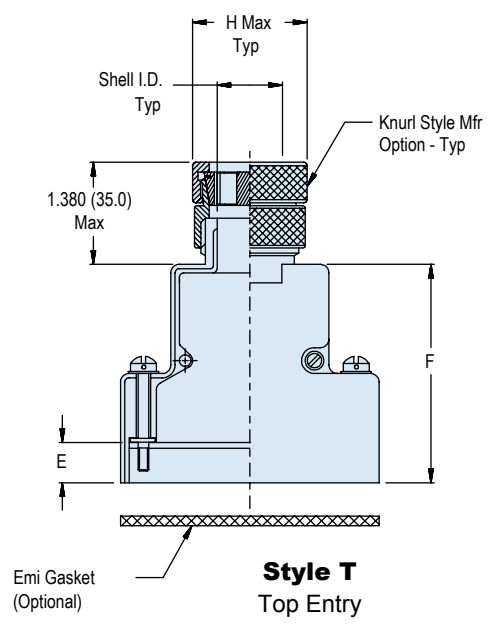


StarShield™ non-environmental shield termination backshell with cable entry and receptacle mounting options



B



Dimensions in inches (millimeters) and are subject to change without notice.

550-089
**StarShield™ EMI/RFI Shield Termination
 Backshell Assembly**
 for MIL-DTL-24308 D-Subminiature



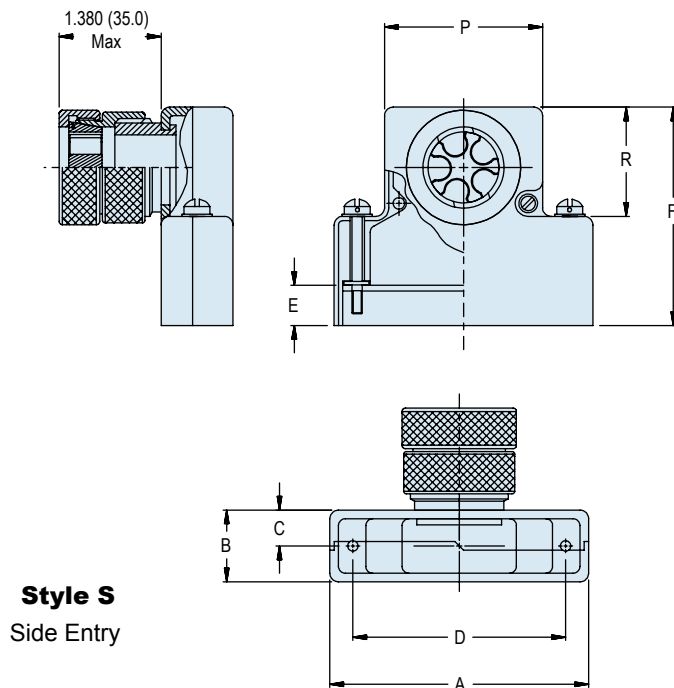
Table I: Dimensions

Shell Size	Com'l Shell Size Ref	Entry Style T Shell I.D.	Entry Style E Shell I.D.	Max Entry
1	E/09	0.250 (6.40)	0.375 (9.50)	13
2	A/15	0.375 (9.50)	0.375 (9.50)	15
3	B/25	0.475 (12.10)	0.475 (12.10)	17
4	C/37	0.475 (12.10)	0.475 (12.10)	21
5	D/50	0.575 (14.60)	0.575 (14.60)	21
6*	F/104	1.000 (25.40)	1.000 (25.40)	23

* Shell size 6 available in top and end entry only.

Table II: Ferrule Quantity

Entry Size	H Dia Max	Ferrule Quantity (See Note 4)	
		Std.	Opt.
9	0.69 (17.50)	1	-
11	0.85 (21.50)	2	-
13	0.89 (22.50)	3	-
15	1.00 (25.50)	5	-
17	1.12 (28.50)	6	7
19	1.24 (31.50)	7	-
21	1.38 (35.00)	9	11
23	1.50 (38.00)	10	13



Notes:

1. Assembly identified with manufacturer's name and p/n, space permitting.
2. For effective grounding, connector with conductive finish should be used.
3. Glenair 600 series backshell assembly tools are recommended for assembly and installation.
4. Star not supplied with entry size 09. Drilled star is available on entry sizes 15-23 only. If optional ferrule qty per Table II is selected, one split and one solid star will be supplied
5. Ferrules sold separately.

Material/finish:

6. Adapter, backshell, gland nut, compression ring, star - Al alloy/see Table V
7. Hardware - cres/passivate
8. Gasket - metex/n.a.
9. Washer - nylon/n.a.

Dimensions in inches (millimeters) and are subject to change without notice.



550-089

StarShield™ EMI/RFI Shield Termination Backshell for MIL-DTL-24308 D-Subminiature

Table III: Common Backshell Dimensions

Shell Size	Com'l Shell Size Ref	A Max	B Max	C Ref	D ±.005(.1)	P	R Ref
1	E/09	1.393 (35.40)	0.624 (15.80)	0.312 (7.90)	0.984 (25.00)	0.730 (18.50)	0.719 (18.30)
2	A/15	1.706 (43.30)	0.624 (15.80)	0.312 (7.90)	1.312 (33.30)	1.050 (26.70)	0.719 (18.30)
3	B/25	2.265 (57.50)	0.624 (15.80)	0.312 (7.90)	1.852 (47.00)	1.594 (40.50)	0.938 (23.80)
4	C/37	2.900 (73.70)	0.624 (15.80)	0.312 (7.90)	2.500 (63.50)	2.240 (56.90)	0.938 (23.80)
5	D/50	2.800 (71.10)	0.750 (19.10)	0.375 (9.50)	2.406 (61.10)	2.140 (54.40)	0.938 (23.80)
6	F/104	2.900 (73.70)	0.844 (21.40)	0.422 (10.70)	2.500 (63.50)	2.240 (56.90)	1.094 (27.80)

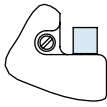
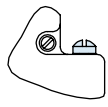

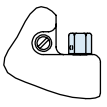
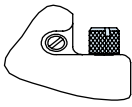

Table IV : Cable Mounting Dimensions

Dash No	Panel Thickness	E	F ± .031			G ± .031	
			Size 1 & 2	Size 3 - 5	Size 6	Size 1 & 2	Size 3 - 6
CC	N/A	0.174 (4.40)	1.451 (36.90)	1.671 (42.40)	1.820 (46.20)	1.583 (40.20)	1.831 (46.70)
F0	N/A	0.343 (8.70)	1.625 (41.30)	1.844 (46.80)	2.000 (50.80)	1.750 (44.50)	2.000 (50.80)
R1	0.031 (0.80)	0.247 (6.30)	1.525 (38.70)	1.745 (44.30)	1.890 (48.00)	1.656 (42.10)	1.904 (48.40)
R2	0.047 (1.20)	0.231 (5.90)	1.509 (38.30)	1.728 (43.90)	1.875 (47.60)	1.640 (41.70)	1.888 (48.00)
R3	0.062 (1.60)	0.216 (5.50)	1.500 (38.10)	1.720 (43.70)	1.860 (47.20)	1.625 (41.30)	1.873 (47.60)
R4	0.093 (2.40)	0.185 (4.70)	1.470 (37.30)	1.690 (42.90)	1.829 (46.50)	1.594 (40.50)	1.842 (46.80)
R5	0.104 (2.60)	0.174 (4.40)	1.451 (36.90)	1.671 (42.40)	1.820 (46.20)	1.583 (40.20)	1.831 (46.50)
R6	0.125 (3.20)	0.153 (3.90)	1.430 (36.30)	1.650 (41.90)	1.798 (45.70)	1.563 (39.70)	1.811 (46.00)
R7	0.156 (4.00)	0.125 (3.20)	1.400 (35.60)	1.620 (41.10)	1.767 (44.90)	1.531 (38.90)	1.781 (45.20)
R8	0.135 (3.40)	0.140 (3.60)	1.417 (36.00)	1.637 (41.60)	1.805 (45.80)	1.550 (39.40)	1.798 (45.70)
R9	0.188 (4.80)	0.094 (2.40)	1.368 (34.70)	1.590 (40.60)	1.740 (44.20)	1.500 (38.10)	1.750 (44.50)

Table V: Finish Description

Sym	Finish Description
A	Cadmium/bright dip
B	Cadmium plate/olive drab
E	Iridite/gold
J	Gold iridite over cadmium plate over nickel
M	Electroless nickel
MB	Electroless nickel matte finish
N	Cadmium plate/olive drab over nickel
NC	Zinc cobalt with/olive drab chromate
NF	Cad/o.d. Over electroless nickel (1000 hour salt spray)"
T	Cadmium plate/bright dip over nickel
Y	Gold iridite over cadmium plate

Table VI: Male Jackscrew Head Options

Style T and S	Style T and S	Style T and S	Style T and S	Style T and S	E Style
					
Type A Socket Head	Type B Fillister Head	Type D Drilled Fillister Head	Type H Hex Head	Type K Knurl Slotted Head	Type J Knurled Slotted Head

Dimensions in inches (millimeters) and are subject to change without notice.

© 2012 Glenair, Inc.

StarShield™ Zero Length Shield Termination Catalog

CAGE Code 06324

Printed in U.S.A.

GLENAIR, INC. • 1211 AIR WAY • GLENDALE, CA 91201-2497 • 818-247-6000 • FAX 818-500-9912

www.glenair.com

B-46

E-Mail: sales@glenair.com

550-089
StarShield™ EMI/RFI Shield Termination Backshell
 for MIL-DTL-24308 D-Subminiature



Table VII: Polarizing Jackscrew Options

<p>Type EF Extended Turnable - Male & Female</p>	<p>Type EL Extended Turnable Females</p>	<p>Type F Turnable Male & Female</p>
<p>Type L Turnable Females</p>	<p>Type M Turnable Males</p>	<p>Type E Extended Turnable Males</p>
<p>Type N Fixed Male & Female</p>	<p>Type P Fixed Females</p>	<p>Type R Fixed Males</p>
<p>Type MP Turnable Male & Fixed Female</p>		

B

Dimensions in inches (millimeters) and are subject to change without notice.