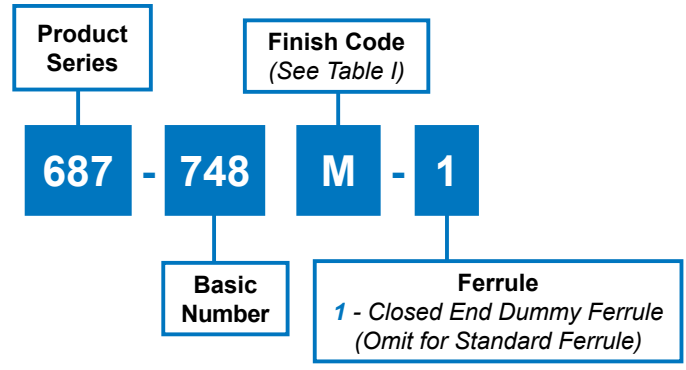
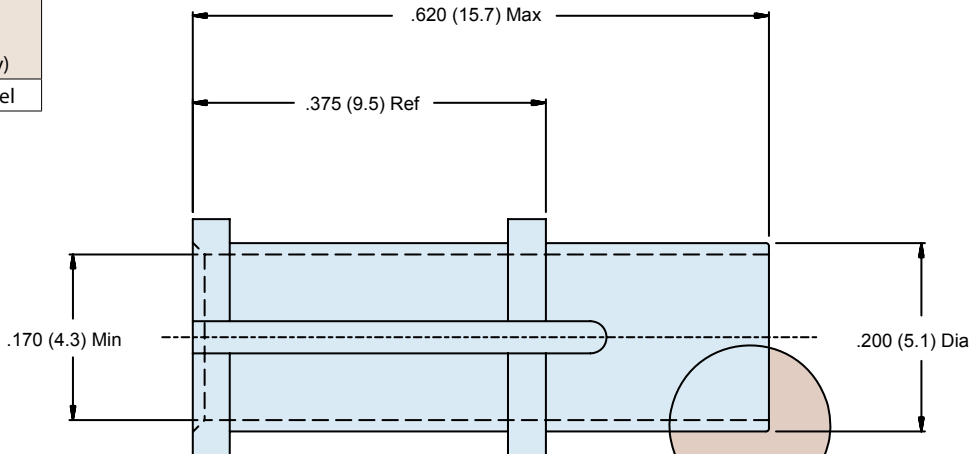


**StarShield™ ferrule - standard or dummy**



Code	Finish Description
M	Electroless Nickel
NF	CAD/O.D. over electroless nickel (1000 hour salt spray)
ZRC	Aluminum/zinc-nickel



**Notes:**

1. Identified by bag and tag in suitable quantities.
2. Solder tube used with Glenair backshells.

**Material/Finish:**

3. Copper alloy/see Table I

