

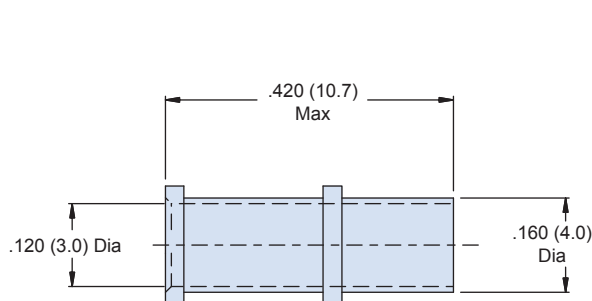
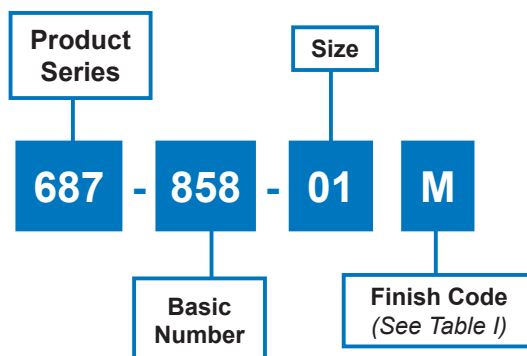
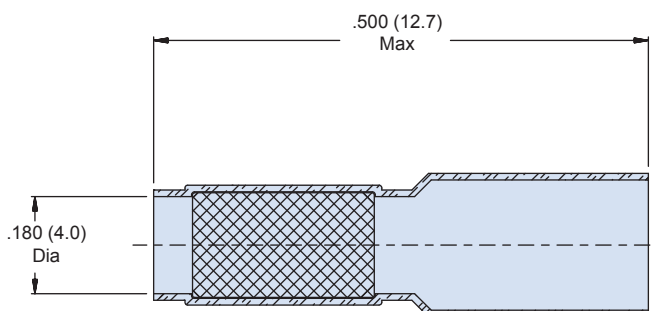
Mighty Mouse Termination Kit

FERRULE

HEAT SHRINK TERMINATOR (HST) DEVICE

Table I	
Code	Finish Description
M	Electroless nickel
NF	CAD/O. D. over electroless nickel (1000 hour salt spray)
ZRC	Aluminum/zinc-nickel

Material/Finish:	
Ferrule	Al Alloy/See Table I
Heat Shrinkable Sleeve (HST) Device	Radiation Cross-Linked Modified Polyvinylidene Fluoride

Notes:

1. Identified by bag and tag in suitable quantities.
2. The ferrule and the hst device are used on Glenair StarShield™ backshells for Mighty Mouse connectors 470MS021.
3. Temperature range: -65°C to +175°C.

Dimensions in inches (millimeters) and are subject to change without notice.