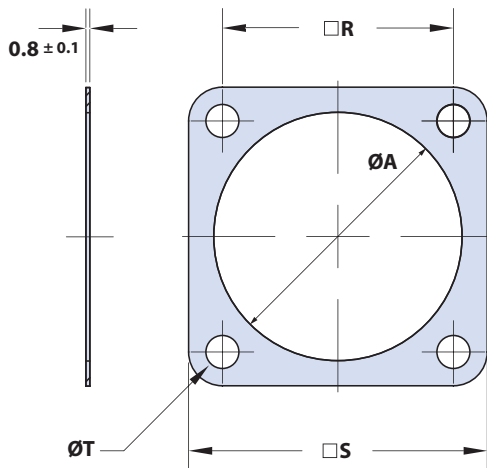




ADVANCED PERFORMANCE
Super ITS-921 Reverse-Bayonet
Rigid Insert, High-Ampacity Connectors
Panel Mount Receptacle Gaskets



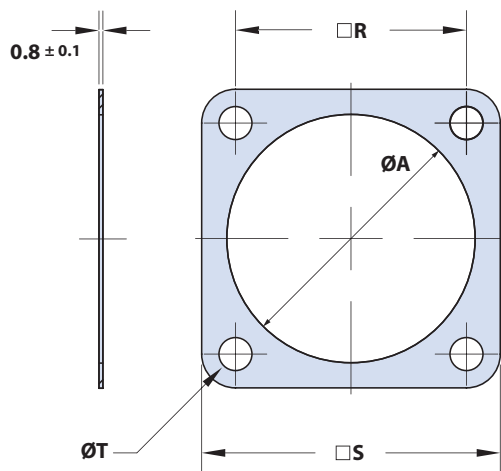
FRONT PANEL MOUNT RECEPTACLE GASKETS



NonConductiveGasketDimensions					
Shell Size	Part Number	ØA +1.0(.039)	R ±0.2(.008)	S ±0.5(.020)	ØT +0.5(.020)
24	921-014-S24	38.0 (1.50)	34.9 (1.37)	44.5 (1.75)	4.2 (0.17)
28	921-014-S28	44.3 (1.74)	39.7 (1.56)	50.8 (2.00)	5.1 (0.20)
32	921-014-S32	50.7 (2.00)	44.5 (1.75)	57.0 (2.24)	5.1 (0.20)
40	921-014-S40	61.9 (2.44)	55.5 (2.19)	69.9 (2.75)	5.1 (0.20)

ConductiveGasketDimensions					
Shell Size	Part Number	ØA +1.0(.039)	R ±0.2(.008)	S ±0.5(.020)	ØT +0.5(.020)
24	921-014-X24	38.0 (1.50)	34.9 (1.37)	44.5 (1.75)	106.68 (4.20)
28	921-014-X28	44.3 (1.74)	39.7 (1.56)	50.8 (2.00)	129.54 (5.10)
32	921-014-X32	50.7 (2.00)	44.5 (1.75)	57.0 (2.24)	129.54 (5.10)
40	921-014-X40	61.9 (2.44)	55.5 (2.19)	69.9 (2.75)	129.54 (5.10)

REAR PANEL MOUNT RECEPTACLE GASKETS



NonConductiveGasketDimensions					
Shell Size	Part Number	ØA +1.0(.039)	R ±0.2(.008)	S ±0.5(.020)	ØT +0.5(.020)
24	921-024-S24	40.9 (1.61)	34.9 (1.37)	44.5 (1.75)	4.2 (0.17)
28	921-024-S28	46.7 (1.84)	39.7 (1.56)	50.8 (2.00)	5.1 (0.20)
32	921-024-S32	53.4 (2.10)	44.5 (1.75)	57.0 (2.24)	5.1 (0.20)
40	921-024-S40	64.5 (2.54)	55.5 (2.19)	69.9 (2.75)	5.1 (0.20)

ConductiveGasketDimensions					
Shell Size	Part Number	ØA +1.0(.039)	R ±0.2(.008)	S ±0.5(.020)	ØT +0.5(.020)
24	921-024-X24	40.9 (1.61)	34.9 (1.37)	44.5 (1.75)	4.2 (0.17)
28	921-024-X28	46.7 (1.84)	39.7 (1.56)	50.8 (2.00)	5.1 (0.20)
32	921-024-X32	53.4 (2.10)	44.5 (1.75)	57.0 (2.24)	5.1 (0.20)
40	921-014-X40	64.5 (2.54)	55.5 (2.19)	69.9 (2.75)	5.1 (0.20)

SUPER ITS: HARSH ENVIRONMENT

A