

8572-0007 Pre-Wired QDC Cordset, Plug-to-Receptacle, USB 3.0



Lower installed cost. 100% tested. Save assembly time and cost with pre-wired SuperFly Datalink “Blue” assemblies for USB 3.0. These back-to-back push-pull cordsets are terminated to SuperSpeed USB cable. Two cable types are available: high temperature fluoropolymer aerospace grade cable or commercial grade PVC cable. Series 882 QDC Octaxial connectors are designed for demanding aerospace environments subject to high vibration, temperature extremes and moisture.

SIZE AND WEIGHT SAVING

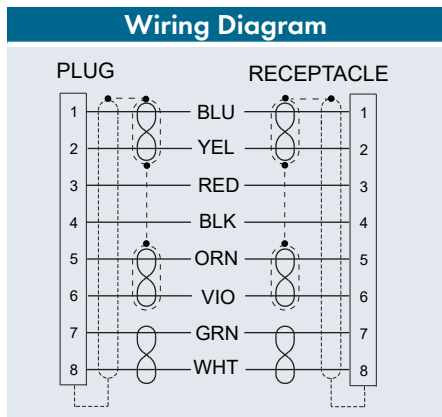
- <1/2 inch (12.7 mm.) diameter
- Push-pull quick-disconnect

LOWER INSTALLED COST

- Factory-terminated
- 100% tested

HARSH ENVIRONMENT

- Vibration, EMI, moisture, and temperature



- ### Construction
- **Shell, backshell:** aluminum alloy or stainless steel
 - **Insulators:** high-grade rigid dielectric
 - **Contacts:** copper alloy, 50 microinches gold over nickel plating
 - **Grommets:** fluorosilicone
 - **O-rings:** fluorosilicone
 - **Bushing, retainer:** copper alloy, electroless nickel plated
 - **Spline:** polyimide
 - **Cable:** aerospace-grade or commercial grade SuperSpeed USB. See cable data sheets for full specifications..

- ### Specifications
- **Operating temp.:** -65° to +200°C, aerospace-grade
0 to +80°C, commercial-grade
 - **Impedance:** 90 ohms
 - **DWV:** 100 Vrms
 - **Current Rating:** 1.5 A
 - **IR:** 100 MΩ min.

How To Order

Sample Part Number	8572-0007	- M	-01	-36
Product	8572-0007 = Pre-wired SuperFly Datalink assembly, QDC plug to receptacle, USB 3.0			
Shell Finish	M = Electroless Nickel (aluminum shell) MT = Nickel-PTFE (aluminum shell) ZR = Black Zinc-Nickel (aluminum shell) ZZ = Gold (aluminum shell) ZMT = Nickel-PTFE (stainless steel shell)			
Cable Type	01 = Aerospace grade SuperSpeed USB cable fluoropolymer jacket, +200°C Cable part number 963-110 02 = Commercial grade SuperSpeed USB cable Black PVC jacket, +80°C Cable part number 963-118			
Overall Length	Length in Inches (12 inch minimum)			

