

8572-0011 Threaded Coupling Corsdet, Plug-to-Receptacle, USB 3.0



Lower installed cost. 100% tested. Save assembly time and cost with pre-wired SuperFly Datalink "Blue" Octaxial assemblies for USB 3.0. These back-to-back cordsets are terminated to USB cable. Two cable types are available: high temperature fluoropolymer aerospace grade cable or commercial grade PVC cable. Series 882 connectors are designed for demanding aerospace environments subject to high vibration, temperature extremes and moisture.

SIZE AND WEIGHT SAVING

- <1/2 inch (12.7 mm.) diameter
- Secure threaded coupling

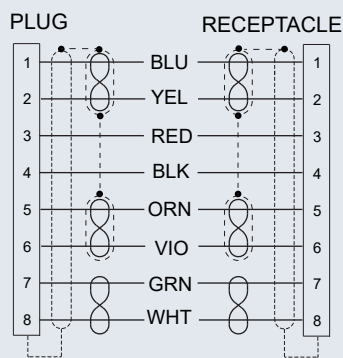
LOWER INSTALLED COST

- Factory-terminated
- 100% tested

HARSH ENVIRONMENT

- Vibration, EMI, moisture, and temperature

Wiring Diagram



Construction

- **Shell, coupling nut, backshell:** aluminum alloy or stainless steel
- **Insulators:** high-grade rigid dielectric
- **Contacts:** copper alloy, 50 microinches gold over nickel plating
- **Grommets:** fluorosilicone
- **O-rings:** fluorosilicone
- **Bushing, retainer:** copper alloy, electroless nickel plated
- **Spline:** polyimide
- **Cable:** aerospace-grade or commercial grade SuperSpeed USB. See cable data sheets for full specifications..

Specifications

- **Operating temp.:** -65° to +200°C, aerospace-grade
0 to +80°C, commercial-grade
- **Impedance:** 90 ohms
- **DWV:** 100 Vrms
- **Current Rating:** 1.5 A
- **IR:** 100 MΩ min.

How To Order

Sample Part Number	8572-0011	- M	-01	-36
Product	8572-0011 = Pre-wired SuperFly Datalink assembly, plug to receptacle, threaded coupling USB 3.0			
Shell Finish	M = Electroless Nickel (aluminum shell) MT = Nickel-PTFE (aluminum shell) ZR = Black Zinc-Nickel (aluminum shell) ZZ = Gold (aluminum shell) ZMT = Nickel-PTFE (stainless steel shell)			
Cable Type	01 = Aerospace grade SuperSpeed USB cable fluoropolymer jacket, +200°C, laser-markable Cable part number 963-110 02 = Commercial grade SuperSpeed USB cable Black PVC jacket, +80°C Cable part number 963-118			
Overall Length	Length in Inches (12 inch minimum)			

