

# 882-005 PC Tail Panel Receptacle, Push-Pull Coupling, 10GbE



## 10GbE. Ultraminiature. Rear panel jam nut mount. PCB terminals.

882-005 receptacles have eight female contacts. Attach to .100" (2.54 mm) maximum thickness panel with spanner nut. PC tail contacts are gold plated or solder dipped in 63/37 tin-lead. Contacts are epoxy-sealed and are non-removable. Gold-plated EMI interface spring, fluorosilicone O-rings for panel sealing and for interface sealing. *Mates to 882-001 plug.*

### SIZE AND WEIGHT SAVING

- Smallest 10Gb Ethernet aerospace-grade connector

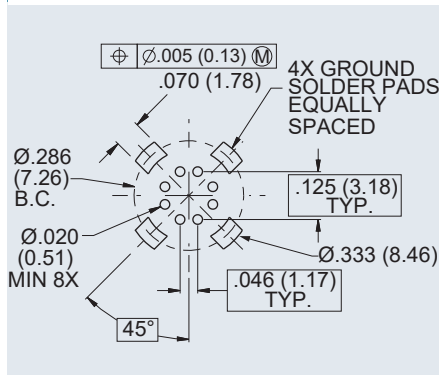
### FAST MATING

- Push-to-mate, pull to de-mate
- 5 pounds breakaway force

### HARSH ENVIRONMENT

- EMI protection
- Water ingress
- Shock and vibration

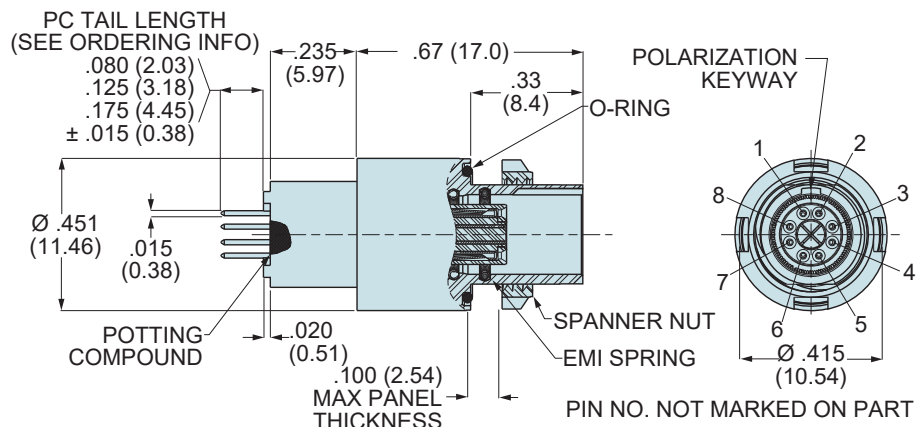
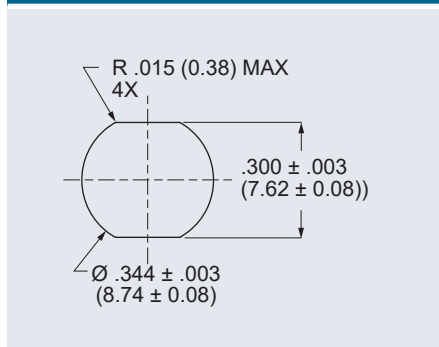
### Recommended PC Board Layout



### How To Order

Sample Part Number	882-005	-M	G	-.125
<b>Product</b>	882-005 = SuperFly Datalink Panel Mount PC Tail Receptacle, Push-Pull			
<b>Shell Finish</b>	<b>M</b> = Electroless Nickel (aluminum shell) <b>MT</b> = Nickel-PTFE (aluminum shell) <b>ZR</b> = Black Zinc-Nickel (aluminum shell) <b>ZZ</b> = Gold (aluminum shell) <b>ZMT</b> = Nickel-PTFE (stainless steel shell)			
<b>PC Tail Finish</b>	<b>S</b> = Solder dip, 63/37 tin-lead <b>G</b> = Gold			
<b>PC Tail Length</b>	<b>.080</b> = .080" (2.03 mm.) <b>.125</b> = .125" (3.18 mm.) <b>.175</b> = .175" (4.45 mm.)			

### Recommended Panel Cutout



### Specifications

- Operating temp.: -65° to +175°C
- Impedance: 100 ohms
- DWV: 500 Vrms unmated
- Current Rating: 1.5 A
- IR: 1000 MΩ min.
- Durability: 500 mating cycles
- Ingress protection: IP67

### Construction

- Shell, jam nut: aluminum alloy or SST
- Insulators: high-grade rigid dielectric
- Contacts: copper alloy, 50 microinches gold over nickel plating
- O-rings: fluorosilicone
- EMI spring: stainless steel, gold plated
- Spline: copper alloy, electroless nickel plated
- Potting: epoxy

### Spanner Nut Tightening Tool

Nickel-plated tool steel, 1/4" sq. drive  
 13 - 18 in.-lbs. recommended torque



600-202-E

