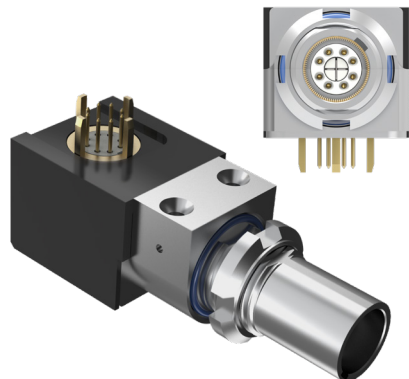


882-008 90° PC Tail Panel Receptacle, Push-Pull Coupling, 10GbE



10GbE. Ultraminiature. Rear panel jam nut mount. 90° PCB terminals.

882-008 SuperFly Datalink receptacles have eight female contacts. Attach to .100" (2.54 mm) maximum thickness panel with spanner nut. PC tail contacts are gold plated or solder dipped in 63/37 tin-lead. Contacts are epoxy-sealed and are non-removable. Gold-plated EMI interface spring, fluorosilicone O-rings for panel sealing and for interface sealing. *Mates to 882-001 plug.*

SIZE AND WEIGHT SAVING

- Smallest 10Gb Ethernet aerospace-grade connector

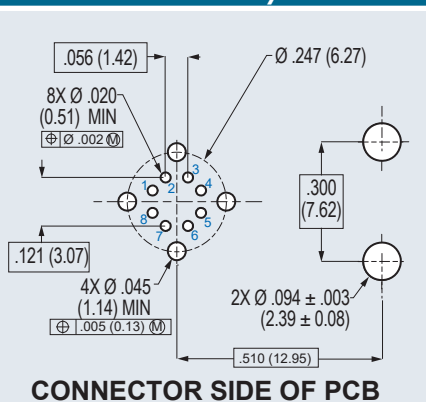
FAST ASSEMBLY

- Pre-tinned PC tail contacts
- Epoxy-sealed terminals

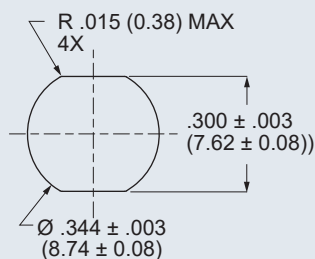
HARSH ENVIRONMENT

- EMI protection
- Water Ingress
- Shock and vibration

PC Board Layout

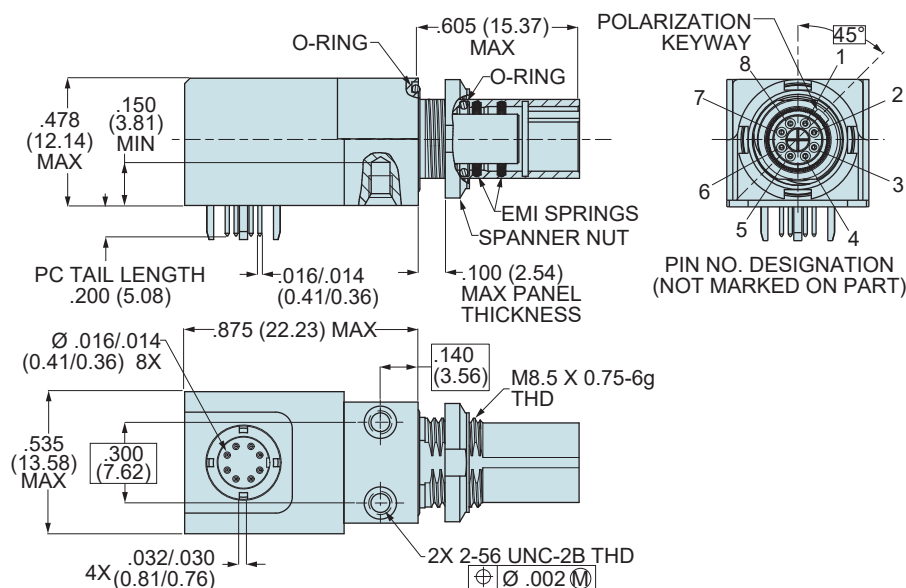


Panel Cutout



How To Order 882-008 Push-Pull Receptacles

Shell Mat/ Finish	Salt Spray Hours	PC Tail Option	
		Gold Plated	Solder Dipped 63/37 Sn/Pb
Al/ Electroless Nickel	48	882-008-MG-.200	882-008-MS-.200
Al/ Nickel-PTFE	500	882-008-MTG-.200	882-008-MTS-.200
Al/ Black Zinc-Nickel	500	882-008-ZRG-.200	882-008-ZRS-.200
Al/ Gold	48	882-008-Z2G-.200	882-008-Z2S-.200
SST/ Nickel-PTFE	500	882-008-ZMTG-.200	882-008-ZMTS-.200



Specifications

- **Operating temp.:** -65° to +175°C
- **Impedance:** 100 ohms
- **DWV:** 500 Vrms unmatd
- **Current Rating:** 1.5 A
- **IR:** 1000 MΩ min.
- **Durability:** 500 mating cycles
- **Ingress protection:** IP67

Construction

- **Shell, jam nut:** aluminum alloy or SST
- **Insulators and tray:** high-grade rigid dielectric
- **Contacts:** copper alloy, 50 microinches gold over nickel plating
- **O-rings:** fluorosilicone
- **EMI spring:** stainless steel, gold plated
- **Spline:** copper alloy, nickel plated
- **Potting:** epoxy

Spanner Nut Tightening Tool

Nickel-plated tool steel, 1/4" sq. drive
 13 - 18 in.-lbs. recommended torque

