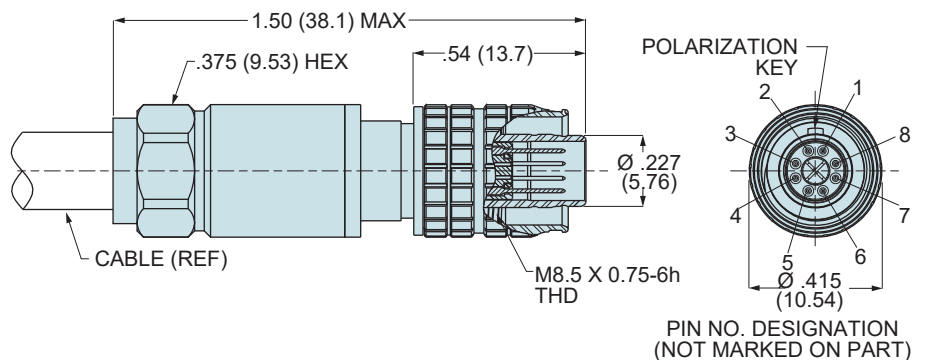


## 882-011 Cable Plug, Threaded Coupling, USB 3.0



**SuperSpeed USB. Ultraminiature. High performance.** 882-011 SuperFly Datalink connectors have eight male contacts. Compatible with aerospace-grade 90 ohm SuperSpeed USB cable. Supplied as unassembled kit. Terminate wires to contacts with crimp tool. 882-011 plugs have a rotating coupling nut with M8.5 metric thread. Braided cable shield terminates to connector with supplied bushing. **Mates to 882-012, 882-014 and 882-015 receptacles.**



### SIZE AND WEIGHT SAVING

- .415 inch (10.5 mm.) diameter
- Integral strain relief and cable seal
- High density contacts

### HIGH SPEED

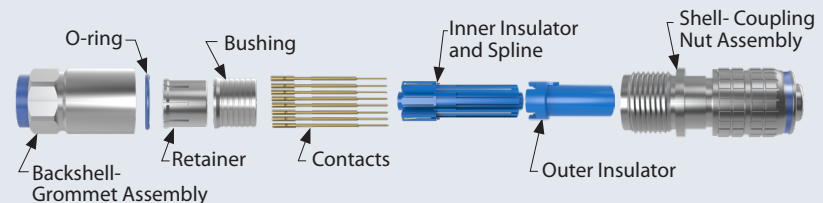
- 5 Gbps
- Low-dielectric material

### HARSH ENVIRONMENT

- EMI protection
- Water ingress
- Shock and vibration
- Temperature extremes
- Corrosion resistance

### 882-011 Components

Connector is supplied unassembled. Assembly instructions are packaged with kit.



### How To Order 882-011 SuperFly Datalink Plugs for USB 3.0

Cable Type	Cable Part No.	Cable Dia.	Shell Material and Finish				
			Aluminum/ Electroless Nickel	Aluminum/ Nickel-PTFE	Aluminum/ Black Zinc-Nickel	Aluminum/ Gold	Stainless Steel/ Nickel-PTFE
USB 3.1, Aerospace-Grade Fluoropolymer Insulation -65° to +200°C	963-110	.225 (5.72)	<b>882-011-M-01</b>	<b>882-011-MT-01</b>	<b>882-011-ZR-01</b>	<b>882-011-Z2-01</b>	<b>882-011-ZMT-01</b>
USB 3.0, Commercial-grade PVC Insulation 0 to +80°C	963-118	.220 (5.56)	<b>882-011-M-02</b>	<b>882-011-MT-02</b>	<b>882-011-ZR-02</b>	<b>882-011-Z2-02</b>	<b>882-011-ZMT-02</b>

### Specifications

- **Operating temp.:** -65° to +125°C (0 To +80°C for commercial-grade cable)
- **Impedance:** 90 ohms
- **DWV:** 500 Vrms unmatd
- **Current Rating:** 1.5 A
- **IR:** 1000 MΩ min.
- **Durability:** 500 mating cycles
- **Ingress protection:** IP67

### Construction

- **Shell, coupling nut, backshell:** aluminum alloy or stainless steel
- **Insulators:** high-grade rigid dielectric
- **Contacts:** copper alloy, 50 microinches gold over nickel plating
- **Grommet:** fluorosilicone
- **O-ring:** fluorosilicone
- **Bushing, retainer:** copper alloy, electroless nickel plated
- **Spline:** polyimide

### Contact Crimp Tools

Hand Crimp Tool



**809-015**  
(M22520/2-01)

Positioner for Hand Crimp Tool



**859-101**  
(K1906)