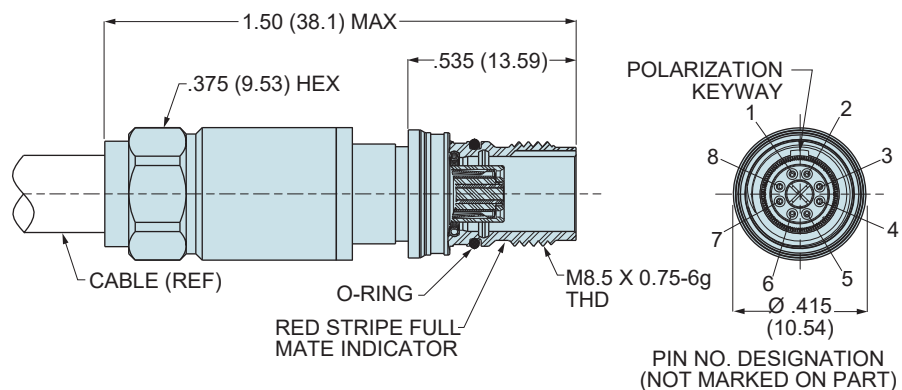


882-014 Cable Receptacle, Threaded Coupling, USB 3.0



SuperSpeed USB. Ultraminiature. High performance. 882-014 SuperFly Datalink connectors have eight female contacts. Compatible with aerospace-grade 90 ohm SuperSpeed USB cable. Supplied as unassembled kit. Terminate wires to contacts with crimp tool (purchased separately). M8.5 metric mating thread. Internal O-ring and gold-plated EMI spring. Braided cable shield terminates to connector with supplied bushing. **Mates to 882-011 plug.**



SIZE AND WEIGHT SAVING

- 415 inch (10.5 mm.) diameter
- Integral strain relief and cable seal
- High density contacts

HIGH SPEED

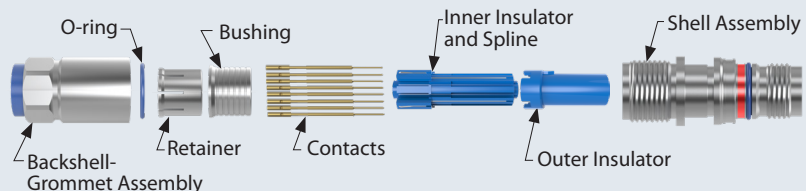
- 5 Gbps
- Low-dielectric material

HARSH ENVIRONMENT

- EMI protection
- Water ingress
- Shock and vibration
- Temperature extremes
- Corrosion resistance

882-014 Components

Connector is supplied unassembled. Assembly instructions are packaged with kit.



How To Order 882-014 SuperFly Datalink Receptacles for USB 3.0

Cable Type	Cable Part No.	Cable Dia.	Shell Material and Finish				
			Aluminum/ Electroless Nickel	Aluminum/ Nickel-PTFE	Aluminum/Black Zinc-Nickel	Aluminum/ Gold	Stainless Steel/ Nickel-PTFE
USB 3.1, Aerospace-Grade Fluoropolymer Insulation -65° to +200°C	963-110	.225 (5.72)	882-014-M-01	882-014-MT-01	882-014-ZR-01	882-014-Z2-01	882-014-ZMT-01
USB 3.0, Commercial-grade PVC Insulation 0 to +80°C	963-118	.220 (5.56)	882-014-M-02	882-014-MT-02	882-014-ZR-02	882-014-Z2-02	882-014-ZMT-02

Specifications

- Operating temp.: -65° to +125°C
- Impedance: 90 ohms
- DWV: 500 Vrms unmated
- Current Rating: 1.5 A
- IR: 1000 MΩ min.
- Durability: 500 mating cycles
- Ingress protection: IP67

Construction

- Shell, backshell: aluminum alloy or SST
- Insulators: low dielectric constant thermoplastic
- Contacts: copper alloy, 50 microinches gold over nickel plating
- Grommet: fluorosilicone
- O-rings: fluorosilicone
- EMI spring: stainless steel, gold plated
- Bushing, retainer: copper alloy, electroless nickel plated
- Spline: polyimide

Contact Crimp Tools

Hand Crimp Tool



809-015
(M22520/2-01)

Positioner for
Hand Crimp Tool



859-101
(K1906)