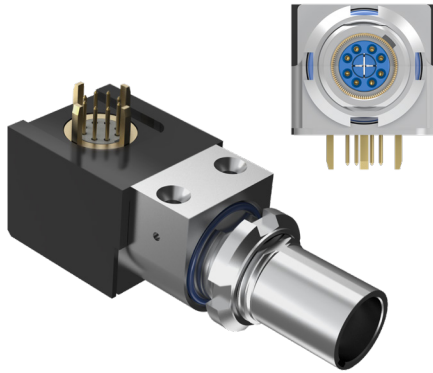


# 882-016 90° PC Tail Panel Receptacle, Push-Pull Coupling, USB 3.0



### SuperSpeed USB. Ultraminiature. Rear panel mount. PCB terminals.

882-016 SuperFly Datalink receptacles have eight female contacts. Attach to .100" (2.54 mm) maximum thickness panel with spanner nut. PC tail contacts are gold plated or solder dipped in 63/37 tin-lead. Contacts are epoxy-sealed and are non-removable. Gold-plated EMI interface spring, fluorosilicone O-rings for panel sealing and for interface sealing. *Mates to 882-009 plug.*

**SIZE AND WEIGHT SAVING**

- 451 inch (11.5 mm.) diameter

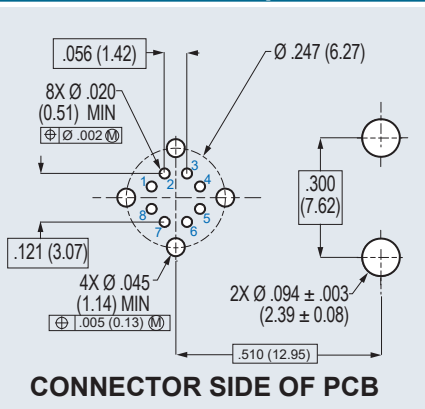
**SUPERSPEED**

- 5 Gbps
- Low-dielectric insulators

**HARSH ENVIRONMENT**

- EMI protection
- Water ingress
- Shock and vibration

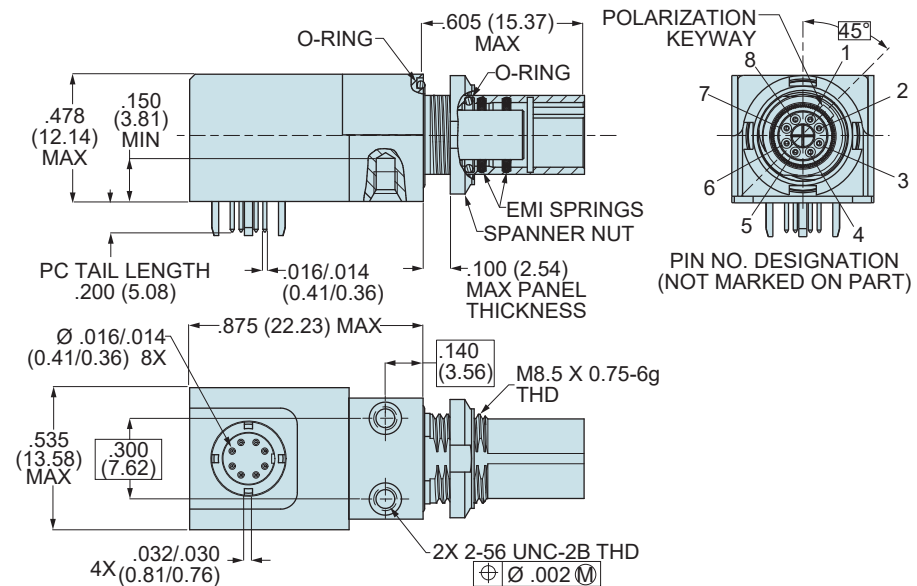
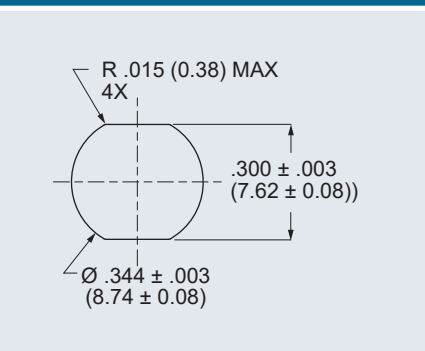
### PC Board Layout



### How To Order 882-016 Push-Pull Receptacles

Shell Mat/ Finish	Salt Spray Hours	PC Tail Option	
		Gold Plated	Solder Dipped 63/37 Sn/Pb
Al/ Electroless Nickel	48	<b>882-016-MG-.200</b>	<b>882-016-MS-.200</b>
Al/ Nickel-PTFE	500	<b>882-016-MTG-.200</b>	<b>882-016-MTS-.200</b>
Al/ Black Zinc-Nickel	500	<b>882-016-ZRG-.200</b>	<b>882-016-ZRS-.200</b>
Al/ Gold	48	<b>882-016-Z2G-.200</b>	<b>882-016-Z2S-.200</b>
SST/ Nickel-PTFE	500	<b>882-016-ZMTG-.200</b>	<b>882-016-ZMTS-.200</b>

### Panel Cutout



### Specifications

- **Operating temp.:** -65° to +125°C
- **Impedance:** 90 ohms
- **DWV:** 500 Vrms unmatd
- **Current Rating:** 1.5 A
- **IR:** 1000 MΩ min.
- **Durability:** 500 mating cycles
- **Ingress protection:** IP67

### Construction

- **Shell, jam nut:** aluminum alloy or SST
- **Insulators and tray:** high-grade rigid dielectric
- **Contacts:** copper alloy, 50 microinches gold over nickel plating
- **O-rings:** fluorosilicone
- **EMI spring:** stainless steel, gold plated
- **Spline:** polyimide
- **Potting:** epoxy

### Spanner Nut Tightening Tool

Nickel-plated tool steel, 1/4" sq. drive  
 13 - 18 in.-lbs. recommended torque

