



# Quick Disconnect

## 880-009P Front Panel Mount Plug with Pigtail Wires



Series 880 Quick-Disconnect (QDC) front panel mount plugs are pre-wired and sealed with epoxy. Supplied with jam nut and o-ring. Three contact sizes are available with current ratings of 5A, 3A and 1A. Aluminum or stainless steel housings and thermoplastic insulators. High-strength wire with crosslinked ETFE insulation crimped at factory to high performance contacts. Ultraminiature SuperFly® connectors are ideal for soldier systems and other applications where reduced size and weight are critical.

B

Shell Size and Insert Arrangements			
Insert Arrangements	No. of Contacts		
	#23 5A.	Micro 3A.	Nano 1A.
B7N	—	—	7
C10N	—	—	10
C2M2N	—	2	2
D3M	—	3	—
D2W2N	2	—	2
E3W	3	—	—
E4M	—	4	—
E19N	—	—	19
E4M4N	—	4	4
F4W	4	—	—
F7M	—	7	—
F22N	—	—	22
F4M8N	—	4	8
F4W4N	4	—	4
G7W	7	—	—
G10M	—	10	—
G31N	—	—	31
G6M10N	—	6	10
G6M12N	—	6	12
H10W	10	—	—
H37N	—	—	37
H6W14N	6	—	14
J44N	—	—	44
J7W19N	7	—	19
K19M	—	19	—
K13M19N	—	13	19
L22M	—	22	—

First letter of insert arrangement represents connector shell size, as in this example: **K13M19N**

### NOTES

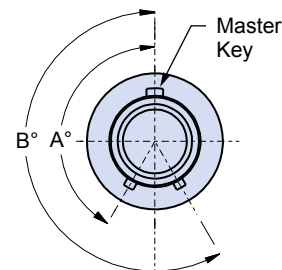
1. See Section A for insert arrangement layouts
2. See Section A for additional finish options

How To Order	
<b>Sample Part Number</b>	<b>880-009P A -B7N -M 004 J 1 -24</b>
<b>Series</b>	<b>880-009P</b>
<b>Insert Style</b>	<b>A = Unshrouded Contacts B = Shrouded Contacts</b> Shrouded contacts are recessed within the insulator
<b>Shell Size/ Insert Arr.1</b>	See Shell Size and Insert Arrangement Table
<b>Material/ Finish<sup>2</sup></b>	<b>M = Aluminum/electroless nickel RoHS compliant ZR = Aluminum/zinc-nickel, non-reflective with RoHS compliant black chromate MT = Aluminum/nickel-PTFE RoHS compliant ZMT = Stainless steel/nickel-PTFE RoHS compliant</b>
<b>Wire AWG</b>	See Wire Code Table
<b>Wire Type</b>	<b>J = "Space Grade" wire M22759/33 or equivalent (ETFE)</b>
<b>Wire Color</b>	<b>1 = White 5 = Full Color; 1-10 solid color, 11 and up are striped 7 = 10 Color Repeating; Wire #1 black, Wire #11 black, etc</b>
<b>Wire Length</b>	Overall length ('L') in inches measured from front of connector

### MOD-686 POLARIZING OPTIONS

Standard SuperFly® connectors have a single master key. Versions with three keys are also available if alternate key positions are required. Add suffix code 686 to the part number per the following example: 880-009PA-B7N-M004J1-24-**686A**

Plug Alternate Key Positions		
Suffix Code	A°	B°
<b>686A</b>	150°	210°
<b>686B</b>	75°	210°
<b>686C</b>	95°	230°
<b>686D</b>	140°	275°
<b>686E</b>	75°	275°
<b>686F</b>	95°	210°



### MOD-518 OPEN FACE SEALING

For IP67 performance in open face (unmated) condition, use suffix -518. Example: 880-009PA-B7N-M004J1-24-**518**



# Quick Disconnect

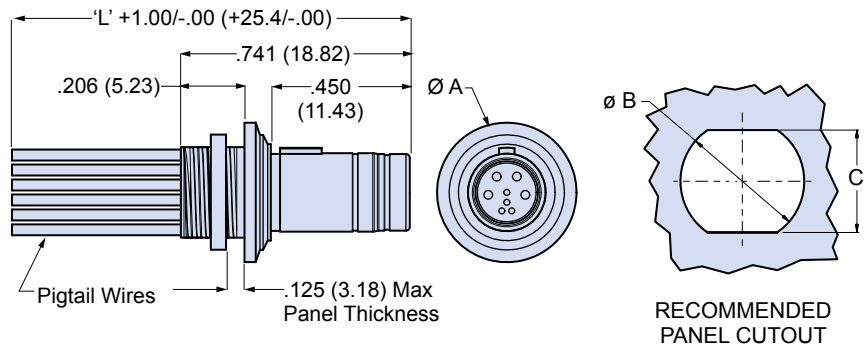
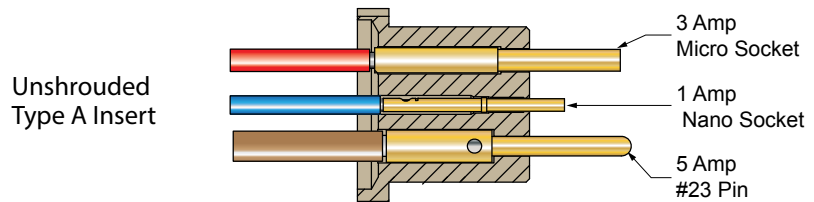
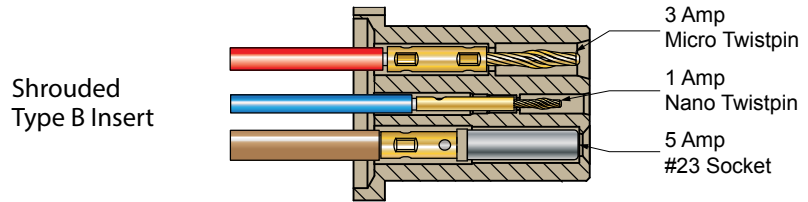


## 880-009P Front Panel Mount Plug with Pigtail Wires

### ABOUT SHROUDED AND UNSHROUDED SUPERFLY® CONFIGURATIONS

Shrouded contacts are recessed within the insert. Unshrouded contacts extend from the insert face. Shrouded inserts contain 1 amp and 3 amp Twistpin contacts along with 5 amp socket contacts. Unshrouded inserts contain 1 amp and 3 amp sockets and 5 amp pin.

Wire Code Table				
<b>Layouts with 5A. Contacts</b>				
Insert Arrangement	#23 5A.	Micro 3A.	Nano 1A.	Code
E3W, F4W, G7W, H10W	#22	—	—	100
	#24	—	—	200
	#26	—	—	300
<b>Layouts with 5A. and 1A. Contacts</b>				
Insert Arrangement	#23 5A.	Micro 3A.	Nano 1A.	Code
D2W2N, F4W4N, H6W14N, J7W19N	#22	—	#28	104
	#24	—	#28	204
	#26	—	#28	304
	#22	—	#30	105
	#24	—	#30	205
	#26	—	#30	305
	#22	—	#32	106
	#24	—	#32	206
#26	—	#32	306	
<b>Layouts with 3A. Contacts</b>				
Insert Arrangement	#23 5A.	Micro 3A.	Nano 1A.	Code
D3M, E4M F7M, G10M, K19M, L22M	—	#24	—	020
	—	#26	—	030
	—	#28	—	040
	—	#30	—	050
<b>Layouts with 3A. and 1A. Contacts</b>				
Insert Arrangement	#23 5A.	Micro 3A.	Nano 1A.	Code
C2M2N, E4M4N, F4M8N, G6M10N, G6M12N, K13M19N	—	#24	#28	024
	—	#26	#28	034
	—	#28	#28	044
	—	#24	#30	025
	—	#26	#30	035
	—	#28	#30	045
—	#24	#32	026	
—	#26	#32	036	
—	#28	#32	046	
<b>Layouts with 1A. Contacts</b>				
Insert Arrangement	#23 5A.	Micro 3A.	Nano 1A.	Code
B7N, C10N, E19N, F22N, G31N, H37N, J44N	—	—	#28	004
	—	—	#30	005
	—	—	#32	006



Shell Size	Dimensions					
	A Max OD		B Mount Ø		C Flats	
	In.	mm.	In.	mm.	In.	mm.
B	.392	9.96	.283	7.19	.241	6.12
C	.412	10.46	.305	7.75	.261	6.63
D	.432	10.97	.324	8.23	.281	7.14
E	.451	11.46	.344	8.74	.300	7.62
F	.471	11.96	.364	9.25	.320	8.13
G	.490	12.45	.383	9.73	.340	8.64
H	.530	13.46	.419	10.64	.379	9.63
J	.569	14.45	.459	11.66	.418	10.62
K	.589	14.96	.478	12.14	.438	11.13
L	.628	15.95	.518	13.16	.478	12.14

