



Quick Disconnect



880-026R In-Line Receptacle with Solder Cup Contacts



Series 880 Quick-Disconnect (QDC) in-line receptacles with solder cup contacts have thread-on rear adapter to allow access to contacts. Install cable shield braid directly to connector with Band-Master® band. Three contact sizes are available with current ratings of 5A, 3A and 1A. Aluminum or stainless steel housings and thermoplastic insulators. Ultraminiature SuperFly® connectors are ideal where ruggedness and field reparability is required.

B

Shell Size and Insert Arrangements			
Insert Arrangements	No. of Contacts		
	#23 5A.	Micro 3A.	Nano 1A.
B7N	—	—	7
C10N	—	—	10
C2M2N	—	2	2
D3M	—	3	—
D2W2N	2	—	2
E3W	3	—	—
E4M	—	4	—
E19N	—	—	19
E4M4N	—	4	4
F4W	4	—	—
F7M	—	7	—
F22N	—	—	22
F4M8N	—	4	8
F4W4N	4	—	4
G7W	7	—	—
G10M	—	10	—
G31N	—	—	31
G6M10N	—	6	10
G6M12N	—	6	12
H10W	10	—	—
H37N	—	—	37
H6W14N	6	—	14
J44N	—	—	44
J7W19N	7	—	19
K19M	—	19	—
K13M19N	—	13	19
L22M	—	22	—

First letter of insert arrangement represents connector shell size, as in this example: K13M19N

NOTES

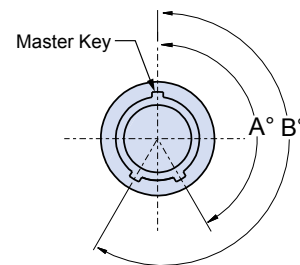
1. See Section A for insert arrangement layouts
2. See Section A for additional finish options

How To Order				
Sample Part Number	880-026R	A	-B7N	-M
Series	880-026R			
Insert Style	A = Unshrouded Contacts B = Shrouded Contacts, Recessed within Insulator			
Shell Size/Insert Arr.¹	See Shell Size and Insert Arrangement Table			
Material/Finish²	M = Aluminum/electroless nickel RoHS compliant ZR = Aluminum/zinc-nickel, non-reflective with RoHS compliant black chromate MT = Aluminum/nickel-PTFE RoHS compliant ZMT = Stainless steel/nickel-PTFE RoHS compliant			

MOD-686 POLARIZING OPTIONS

Standard Superfly connectors have a single master key. Versions with three keys are also available if alternate key positions are required. Add suffix code 686 to the part number per the following example: 880-026RA-B7N-M-686A

Plug Alternate Key Positions		
Suffix Code	A°	B°
686A	150°	210°
686B	75°	210°
686C	95°	230°
686D	140°	275°
686E	75°	275°
686F	95°	210°



SUITABLE WIRE RANGES

Wire Ranges		
5A (#23)	3A (Micro)	1A (Nano)
22-28 AWG	24-30 AWG	30-32 AWG



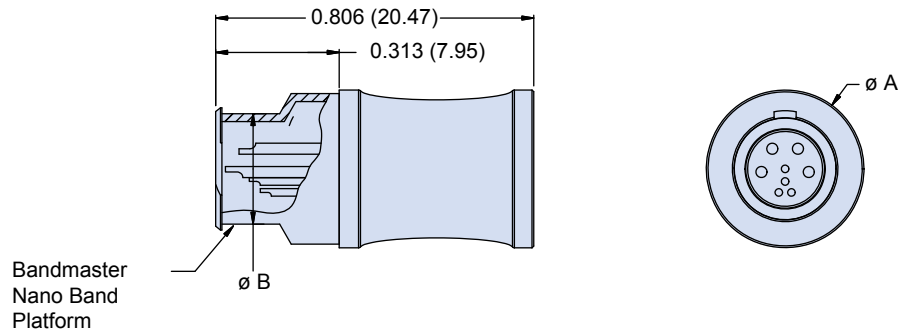
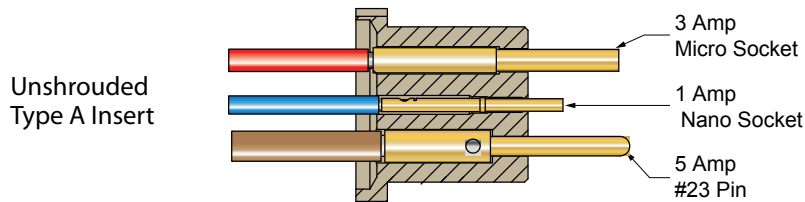
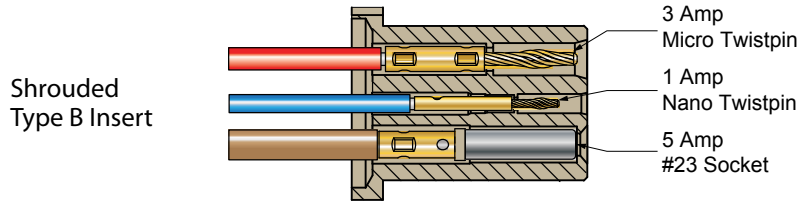
Quick Disconnect

880-026R In-Line Receptacle with Solder Cup Contacts



ABOUT SHROUDED AND UNSHROUDED SUPERFLY® CONFIGURATIONS

Shrouded contacts are recessed within the insert. Unshrouded contacts extend from the insert face. Shrouded inserts contain 1 amp and 3 amp Twistpin contacts along with 5 amp socket contacts. Unshrouded inserts contain 1 amp and 3 amp sockets and 5 amp pin.



Shell Size	Dimensions			
	A Max OD		B Rear OD	
	In	mm	In	mm
B	0.317	8.05	0.197	5.00
C	0.342	8.69	0.222	5.64
D	0.355	9.02	0.235	5.97
E	0.381	9.68	0.261	6.63
F	0.400	10.16	0.280	7.11
G	0.422	10.72	0.302	7.67
H	0.459	11.66	0.339	8.61
J	0.487	12.37	0.369	9.37
K	0.509	12.93	0.391	9.93
L	0.548	13.92	0.430	10.92

