



Quick Disconnect



880-032R Rear Panel Mount, Vertical PCB Receptacle



Series 880 Quick-Disconnect (QDC) rear panel mount, vertical PCB receptacles are sealed with epoxy and meet IP67 requirements in mated condition. For open face sealing in an unmated condition request modification code -518. Three contact sizes are available with current ratings of 5A, 3A and 1A. Aluminum or stainless steel housings and thermoplastic insulator. High performance crimp contacts factory terminated to solid copper wire. Ultraminiature SuperFly® connectors are ideal for soldier systems and other applications where reduced size and weight are critical.

B

| Shell Size and Insert Arrangements | | | |
|------------------------------------|-----------------|-----------|----------|
| Insert Arrangements | No. of Contacts | | |
| | #23 5A. | Micro 3A. | Nano 1A. |
| B7N | — | — | 7 |
| C10N | — | — | 10 |
| C2M2N | — | 2 | 2 |
| D3M | — | 3 | — |
| D2W2N | 2 | — | 2 |
| E3W | 3 | — | — |
| E4M | — | 4 | — |
| E19N | — | — | 19 |
| E4M4N | — | 4 | 4 |
| F4W | 4 | — | — |
| F7M | — | 7 | — |
| F22N | — | — | 22 |
| F4M8N | — | 4 | 8 |
| F4W4N | 4 | — | 4 |
| G7W | 7 | — | — |
| G10M | — | 10 | — |
| G31N | — | — | 31 |
| G6M10N | — | 6 | 10 |
| G6M12N | — | 6 | 12 |
| H10W | 10 | — | — |
| H37N | — | — | 37 |
| H6W14N | 6 | — | 14 |
| J44N | — | — | 44 |
| J7W19N | 7 | — | 19 |
| K19M | — | 19 | — |
| K13M19N | — | 13 | 19 |
| L22M | — | 22 | — |

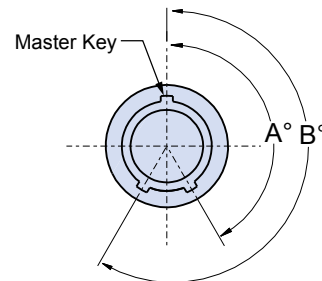
First letter of insert arrangement represents connector shell size, as in this example: **K13M19N**

| How To Order | | | | | | |
|---|--|----------|-------------|-----------|----------|--------------|
| Sample Part Number | 880-032R | A | -B7N | -M | S | -.125 |
| Series | 880-032R | | | | | |
| Insert Style | A = Unshrouded Contacts B = Shrouded Contacts recessed within insulator | | | | | |
| Shell Size/Insert Arr.¹ | See Shell Size and Insert Arrangement Table | | | | | |
| Material/Finish² | M = Aluminum/electroless nickel RoHS compliant ZR = Aluminum/zinc-nickel, non-reflective with RoHS compliant black chromate MT = Aluminum/nickel-PTFE RoHS compliant ZMT = Stainless steel/nickel-PTFE RoHS compliant | | | | | |
| PC Tail Finish | S = Solder-dipped in 63/37 tin-lead G = Gold Plated | | | | | |
| PC Tail Length | .080, .125, .175; Length ('L') in inches | | | | | |

MOD-686 POLARIZING OPTIONS

Standard Superfly connectors have a single master key. Versions with three keys are also available if alternate key positions are required. Add suffix code 686 to the part number per the following example: 880-032RA-B7N-MS-.125-**686A**

| Plug Alternate Key Positions | | |
|------------------------------|------|------|
| Suffix Code | A° | B° |
| 686A | 150° | 210° |
| 686B | 75° | 210° |
| 686C | 95° | 230° |
| 686D | 140° | 275° |
| 686E | 75° | 275° |
| 686F | 95° | 210° |



MOD-518 OPEN FACE SEALING

For IP67 performance in open face (unmated) condition, use suffix -518. Example: 880-032RA-B7N-MS-.125-**518**



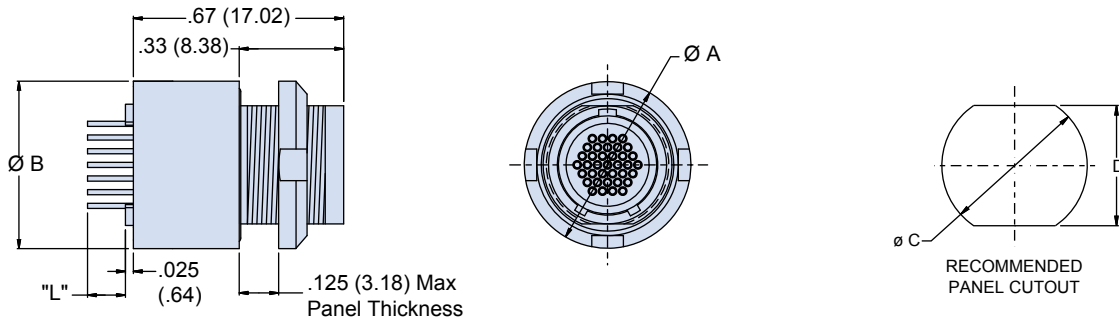
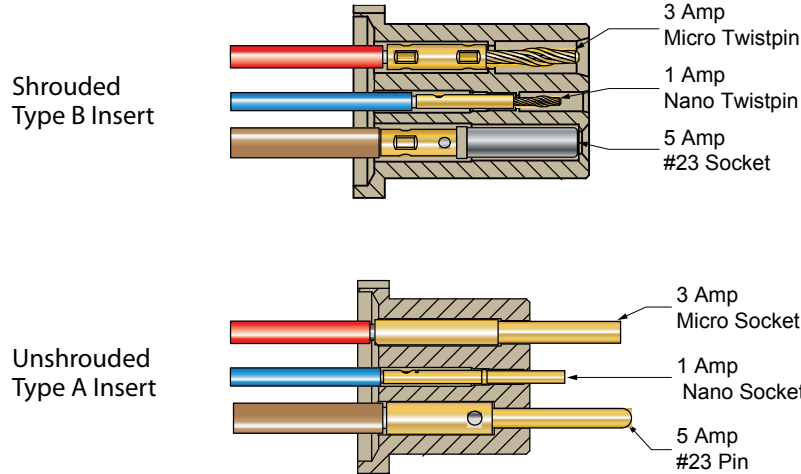
Quick Disconnect

880-032R Rear Panel Mount, Vertical PCB Receptacle



ABOUT SHROUDED AND UNSHROUDED SUPERFLY® CONFIGURATIONS

Shrouded contacts are recessed within the insert. Unshrouded contacts extend from the insert face. Shrouded inserts contain 1 amp and 3 amp Twistpin contacts along with 5 amp socket contacts. Unshrouded inserts contain 1 amp and 3 amp sockets and 5 amp pin.



B

| Shell Size | Dimensions | | | | | | | |
|------------|------------|---------|------|-------|------|-------|---------|-------|
| | Ø A | | Ø B | | Ø C | | D Flats | |
| | In | mm | In | mm | In | mm | In | mm |
| B | .392 | 9.9568 | .392 | 9.96 | .283 | 7.19 | .241 | 6.12 |
| C | .412 | 10.4648 | .412 | 10.46 | .305 | 7.75 | .261 | 6.63 |
| D | .432 | 10.9728 | .432 | 10.97 | .324 | 8.23 | .281 | 7.14 |
| E | .451 | 11.4554 | .451 | 11.46 | .344 | 8.74 | .300 | 7.62 |
| F | .471 | 11.9634 | .471 | 11.96 | .364 | 9.25 | .320 | 8.13 |
| G | .490 | 12.446 | .490 | 12.45 | .383 | 9.73 | .340 | 8.64 |
| H | .530 | 13.462 | .530 | 13.46 | .419 | 10.64 | .379 | 9.63 |
| J | .569 | 14.4526 | .569 | 14.45 | .459 | 11.66 | .418 | 10.62 |
| K | .589 | 14.9606 | .589 | 14.96 | .478 | 12.14 | .438 | 11.13 |
| L | .628 | 15.9512 | .628 | 15.95 | .518 | 13.16 | .478 | 12.14 |

- NOTES**
1. See Section A for insert arrangement layouts
 2. See Section A for additional finish options