



# Threaded Coupling

## 881-004R Rear Panel Mount Receptacle with Pigtail Wires



Series 881 rear panel mount, threaded coupling receptacles are pre-wired, sealed with epoxy and feature integral shield termination platform. Three contact sizes are available with current ratings of 5A, 3A and 1A. Aluminum or stainless steel housings and thermoplastic insulators. High-strength wire with crosslinked ETFE insulation crimped at the factory to high performance contacts. Ultraminiature SuperFly® connectors are ideal for soldier systems and other applications where reduced size and weight are critical.

Shell Size and Insert Arrangements			
Insert Arrangements	No. of Contacts		
	#23 5A.	Micro 3A.	Nano 1A.
B7N	—	—	7
C10N	—	—	10
C2M2N	—	2	2
D3M	—	3	—
D2W2N	2	—	2
E3W	3	—	—
E4M	—	4	—
E19N	—	—	19
E4M4N	—	4	4
F4W	4	—	—
F7M	—	7	—
F22N	—	—	22
F4M8N	—	4	8
F4W4N	4	—	4
G7W	7	—	—
G10M	—	10	—
G31N	—	—	31
G6M10N	—	6	10
G6M12N	—	6	12
H10W	10	—	—
H37N	—	—	37
H6W14N	6	—	14
J44N	—	—	44
J7W19N	7	—	19
K19M	—	19	—
K13M19N	—	13	19
L22M	—	22	—

First letter of insert arrangement represents connector shell size, as in this example K13M19N

### NOTES

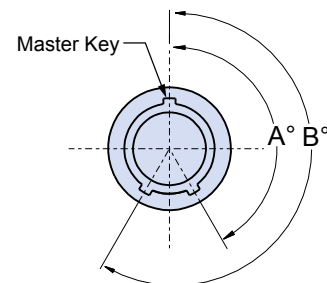
1. See Section A for insert arrangement layouts
2. See Section A for additional finish options

How To Order								
<b>Sample Part Number</b>	<b>881-004R</b>	<b>A</b>	<b>-B7N</b>	<b>-M</b>	<b>004</b>	<b>J</b>	<b>1</b>	<b>-24</b>
<b>Series</b>	<b>881-004R</b>							
<b>Insert Style</b>	<b>A</b> = Unshrouded Contacts <b>B</b> = Shrouded Contacts are recessed within the insulator							
<b>Shell Size / Insert Arr.<sup>1</sup></b>	See Shell Size and Insert Arrangement Table							
<b>Material/ Finish<sup>2</sup></b>	<b>M</b> = Aluminum/electroless nickel RoHS compliant <b>ZR</b> = Aluminum/zinc-nickel, non-reflective with RoHS compliant black chromate <b>MT</b> = Aluminum/nickel-PTFE RoHS compliant <b>ZMT</b> = Stainless steel/nickel-PTFE RoHS compliant							
<b>Wire AWG</b>	See Wire Code Table							
<b>Wire Type</b>	<b>J</b> = "Space Grade" wire M22759/33 or equivalent (ETFE)							
<b>Wire Color</b>	<b>1</b> = White <b>5</b> = Full Color; 1-10 solid color, 11 and up are striped <b>7</b> = 10 Color Repeating; Wire #1 black, Wire #11 black, etc							
<b>Wire Length</b>	Overall length (L) in inches measured from front of connector							

### MOD-686 POLARIZING OPTIONS

Standard SuperFly® connectors have a single master key. Versions with three keys are also available if alternate key positions are required. Add suffix code 686 to the part number per the following example: 881-004RA-B7N-M004J1-24-**686A**

Plug Alternate Key Positions		
Suffix Code	A°	B°
<b>686A</b>	150°	210°
<b>686B</b>	75°	210°
<b>686C</b>	95°	230°
<b>686D</b>	140°	275°
<b>686E</b>	75°	275°
<b>686F</b>	95°	210°



### MOD-518 OPEN FACE SEALING

For IP67 performance in open face (unmated) condition, use suffix -518. Example: 881-004RA-B7N-M004J1-24-**518**



# Threaded Coupling

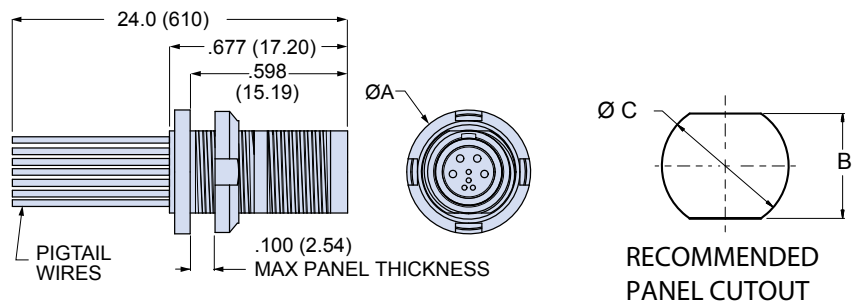
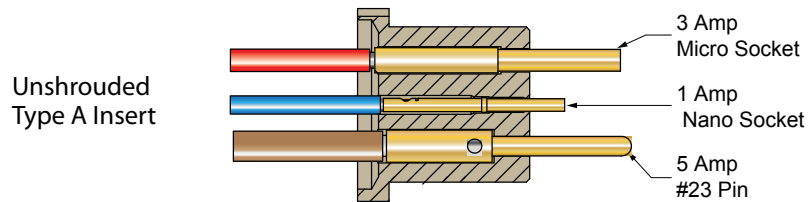
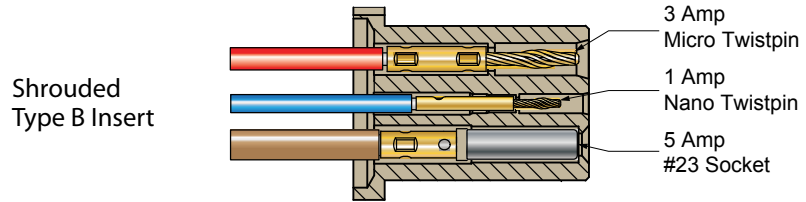


## 881-004R Rear Panel Mount Receptacle with Pigtail Wires

### ABOUT SHROUDED AND UNSHROUDED SUPERFLY® CONFIGURATIONS

Shrouded contacts are recessed within the insert. Unshrouded contacts extend from the insert face. Shrouded inserts contain 1 amp and 3 amp Twistpin contacts along with 5 amp socket contacts. Unshrouded inserts contain 1 amp and 3 amp sockets and 5 amp pin.

Wire Code Table				
<b>Layouts with 5A. Contacts</b>				
Insert Arrangement	#23 5A.	Micro 3A.	Nano 1A.	Code
E3W, F4W, G7W, H10W	#22	—	—	100
	#24	—	—	200
	#26	—	—	300
<b>Layouts with 5A. and 1A. Contacts</b>				
Insert Arrangement	#23 5A.	Micro 3A.	Nano 1A.	Code
D2W2N, F4W4N, H6W14N, J7W19N	#22	—	#28	104
	#24	—	#28	204
	#26	—	#28	304
	#22	—	#30	105
	#24	—	#30	205
	#26	—	#30	305
	#22	—	#32	106
	#24	—	#32	206
#26	—	#32	306	
<b>Layouts with 3A. Contacts</b>				
Insert Arrangement	#23 5A.	Micro 3A.	Nano 1A.	Code
D3M, E4M F7M, G10M, K19M, L22M	—	#24	—	020
	—	#26	—	030
	—	#28	—	040
	—	#30	—	050
<b>Layouts with 3A. and 1A. Contacts</b>				
Insert Arrangement	#23 5A.	Micro 3A.	Nano 1A.	Code
C2M2N, E4M4N, F4M8N, G6M10N, G6M12N, K13M19N	—	#24	#28	024
	—	#26	#28	034
	—	#28	#28	044
	—	#24	#30	025
	—	#26	#30	035
	—	#28	#30	045
—	#24	#32	026	
	#26	#32	036	
	#28	#32	046	
	<b>Layouts with 1A. Contacts</b>			
Insert Arrangement	#23 5A.	Micro 3A.	Nano 1A.	Code
B7N, C10N, E19N, F22N, G31N, H37N, J44N	—	—	#28	004
	—	—	#30	005
	—	—	#32	006



Shell Size	Dimensions					
	Ø A		B		Ø C	
	In.	mm.	In.	mm.	In.	mm.
B	.392	9.96	.236	5.99	.282	7.16
C	.412	10.46	.256	6.50	.302	7.67
D	.432	10.97	.276	7.01	.321	8.15
E	.451	11.46	.296	7.52	.341	8.66
F	.471	11.96	.315	8.00	.361	9.17
G	.491	12.47	.335	8.51	.380	9.65
H	.530	13.46	.374	9.50	.420	10.67
J	.569	14.45	.414	10.52	.459	11.66
K	.589	14.96	.433	11.00	.478	12.14
L	.628	15.95	.473	12.01	.518	13.16