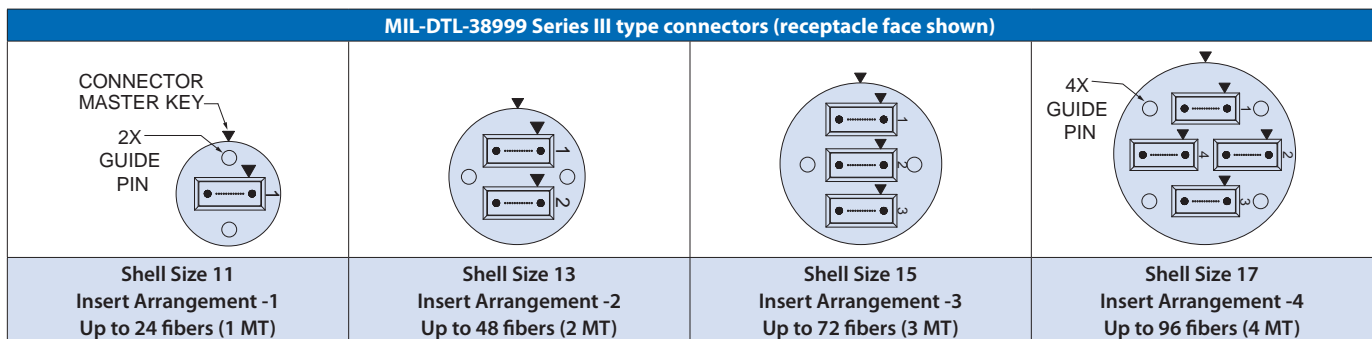




How To Order							
Sample Part Number	183-001	ME	08	-17	-4	P	N
Basic Part Number	MT Ferrule Fiber Optic Connector						
Material/Finish Code	See Table I						
Connector Style	08 = Jam nut receptacle						
Shell Size	11, 13, 15, 17						
Insert Arrangement	See Figure 1						
Insert Designator	P = Pin insert (receptacle only)						
Alternate Key Position	A, B, C, D, E, N = Normal (per MIL-DTL-38999)						

Table I - Material and Finish		
Code	Material	Finish Description
ME	Aluminum Alloy	Electroless Nickel
MT		Nickel-PTFE, Grey
NF		Cadmium, Olive Drab
ZR		Zinc-Nickel, Black
XM	Composite	Electroless Nickel
XW		Cadmium, Olive Drab
Z1	Stainless Steel	Passivate
ZL		Electro-Deposited Nickel



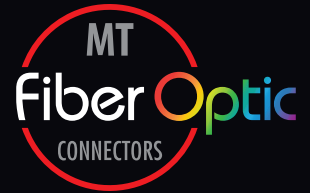
### NOTES

Material/Finish

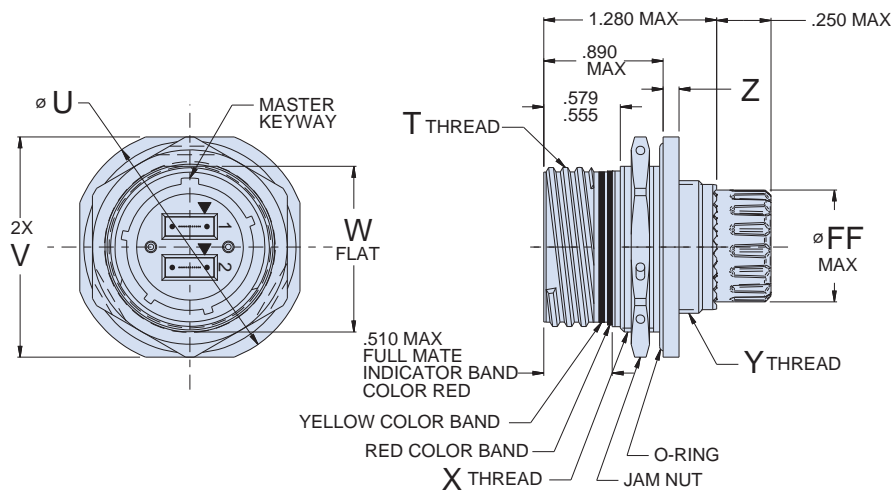
- Jam nut for composite receptacles = Al alloy, plated per table I
- Insulators = high-grade rigid dielectric
- Seals = fluorosilicone

Connectors are identified with Glenair name, CAGE code, part number and date code

Assembly requires Glenair MT38999 assembly tool, 182-062



### 08 - JAM NUT MOUNT RECEPTACLE



**Table IV - Panel Cutout**

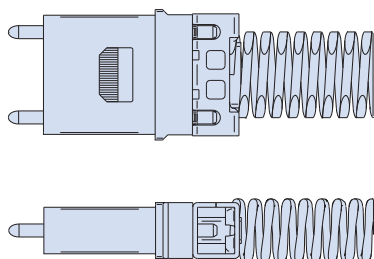
Shell Size Code	Shell Size	ØAA		ØBB Flat	
		In	mm	In	mm
B	11	.835	21.21	.771	19.58
		.825	20.96	.761	19.33
C	13	1.020	25.91	.955	24.26
		1.010	25.65	.945	24.00
D	15	1.145	29.08	1.085	27.56
		1.135	28.83	1.075	27.31
E	17	1.270	32.26	1.210	30.73
		1.260	32.00	1.200	30.48

**Table III - Jam Nut Receptacle Dimensions**

Shell Size Code	Shell Size	T Thread	ØU		V		W Flat		X Thread	Y Thread	Z		ØFF Max	
			In	mm	In	mm	In	mm			In	mm	In	mm
B	11	.7500-.1P-.3L-TS-2A	1.386	35.20	1.268	32.21	0.755	19.18	M20 X 1.0-6g 0.100R	M15 X 1.0-6g 0.100R	.122	3.10	.392	9.96
			1.362	34.59	1.236	31.39	0.745	18.92					.488	12.40
C	13	.8750-.1P-.3L-TS-2A	1.512	38.40	1.390	35.31	0.942	23.93	M25 X 1.0-6g 0.100R	M18 X 1.0-6g 0.100R	.083	2.11	.606	15.39
			1.488	37.80	1.358	34.49	0.932	23.67					.724	18.39
D	15	1.0000-.1P-.3L-TS-2A	1.638	41.61	1.516	38.51	1.066	27.08	M28 X 1.0-6g 0.100R	M22 X 1.0-6g 0.100R			.606	15.39
			1.614	41.00	1.484	37.69	1.056	26.82					.724	18.39
E	17	1.1875-.1P-.3L-TS-2A	1.764	44.81	1.642	41.71	1.191	30.25	M32 X 1.0-6g 0.100R*	M25 X 1.0-6g 0.100R			.606	15.39
			1.740	44.20	1.610	40.89	1.181	30.00					.724	18.39

\*Modified major diameter 31.80 – 31.95 (1.252 – 1.257mm)

### MT FERRULE KIT



**How To Order MT Ferrules**

<b>Sample Part Number</b>	181-108	-1253	-12	P
<b>Basic Part Number</b>	MT Ferrule kit			
<b>Fiber type</b>	-1253 = Singlemode -126 = Multimode			
<b>Number of Fibers</b>	-12 (12 fibers, available in singlemode and multimode) -24 (24 fibers, available in multimode only)			
<b>Ferrule Style</b>	P = Male (Recp Only)			

**Material/Finish**

- Ferrule: Polyphenylene Sulfide Resin
- Guide Pin: Stainless Steel
- Spring: Stainless Steel
- Boot: TPE