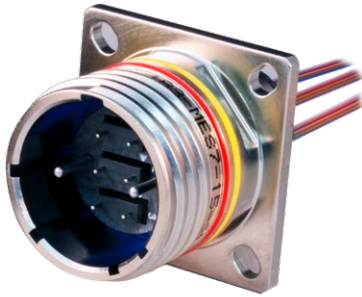


SuperNine MT Fiber Optic Connectors

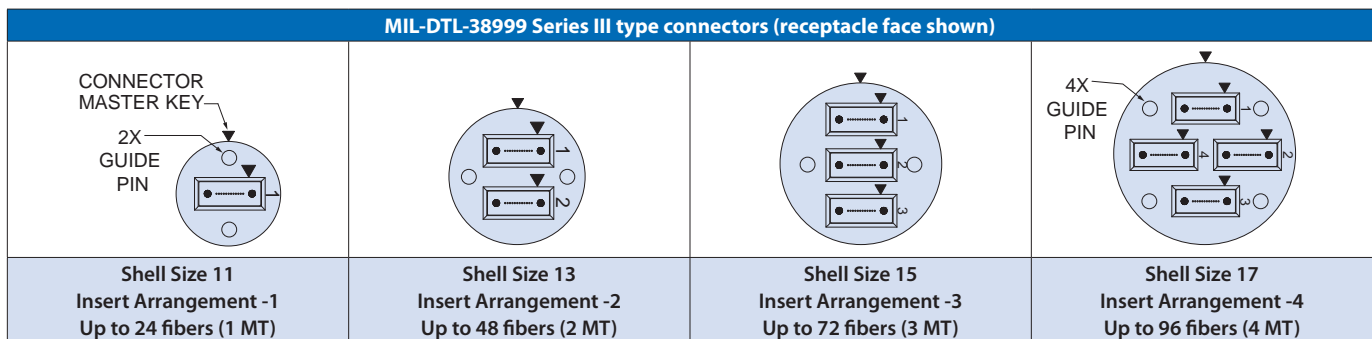


How to order wall-mount receptacles with slotted holes



How To Order							
Sample Part Number	183-001	ME	S7	-17	-4	P	N
Basic Part Number	MT Ferrule Fiber Optic Connector						
Material/Finish Code	See Table I						
Connector Style	S7 = Wall-mount receptacle with slotted holes						
Shell Size	11, 13, 15, 17						
Insert Arrangement	See Figure 1						
Insert Designator	P = Pin insert (receptacle only)						
Alternate Key Position	A, B, C, D, E, N = Normal (per MIL-DTL-38999)						

Table I - Material and Finish		
Code	Material	Finish Description
ME	Aluminum Alloy	Electroless Nickel
MT		Nickel-PTFE, Grey
NF		Cadmium, Olive Drab
ZR		Zinc-Nickel, Black
XM	Composite	Electroless Nickel
XW		Cadmium, Olive Drab
Z1	Stainless Steel	Passivate
ZL		Electro-Deposited Nickel



NOTES

Material/Finish

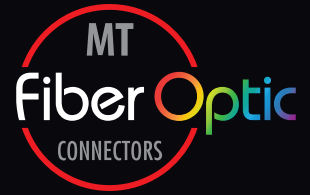
- Insulators = high-grade rigid dielectric
- Seals = fluorosilicone

Connectors are identified with Glenair name, CAGE code, part number and date code

Assembly requires Glenair MT38999 assembly tool, 182-062

SuperNine MT Fiber Optic Connectors

Wall mount receptacle with slotted holes dimensions



H7 - WALL MOUNT RECEPTACLE WITH SLOTTED HOLES (FRONT PANEL MOUNT ONLY)

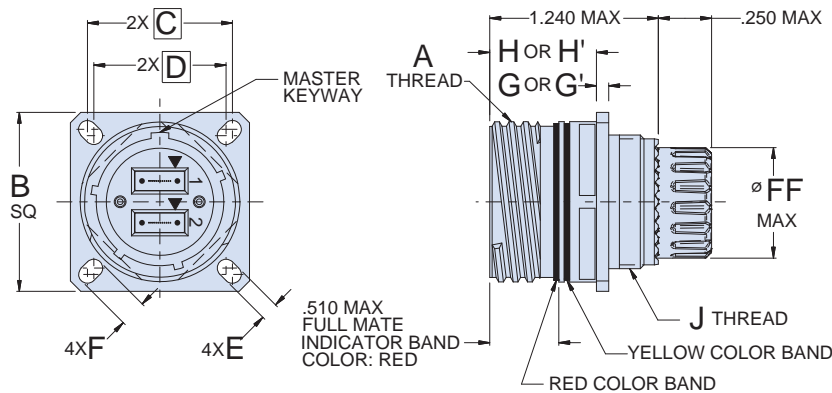


Table VI - Front Panel Mounting Holes

Diagram showing 4X Ø R HOLES with dimensions Ø P MIN, S, and FRONT PANEL MOUNT.

Shell Size Code	Shell Size	ØP Min.		ØR Holes		S Bsc	
		In	mm	In	mm	In	mm
B	11	.625	15.88	.133	3.38	.812	20.62
C	13	.750	19.05	.123	3.12	.906	23.01
D	15	.906	23.01			.969	24.61
E	17	1.016	25.81			1.062	26.97

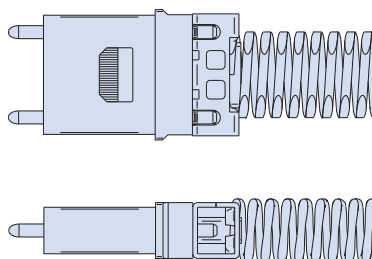
Table V - Wall Mount Receptacle Dimensions

Shell Size Code	Shell Size	A Thread	B Sq		C Bsc		D Bsc		E		F	
			In	mm	In	mm	In	mm	In	mm	In	mm
B	11	.7500-1P-.3L-TS-2A	1.043 1.019	26.49 25.88	.812	20.62	.719	18.26	.136 .120	3.45 3.05	0.202	5.13
C	13	.8750-1P-.3L-TS-2A	1.138 1.114	28.91 28.30	.906	23.01	.812	20.62			0.186	4.72
D	15	1.0000-1P-.3L-TS-2A	1.232 1.208	31.29 30.68	.969	24.61	.906	23.01			0.181 0.165	4.60 4.19
E	17	1.1875-1P-.3L-TS-2A	1.323 1.299	33.60 32.99	1.062	26.97	.969	24.61			0.202 0.186	5.13 4.72

Table V - Wall Mount Receptacle Dimensions (continued)

Shell Size Code	Shell Size	G		G'		H		H'		J Thread	ØFF Max	
		In	mm	In	mm	In	mm	In	mm		In	mm
B	11									M15 X 1.0-6g 0.100R	.392	9.96
C	13	.098	2.49	.144	3.66	.820	20.83	.823	20.90	M18 X 1.0-6g 0.100R	.488	12.40
D	15	.083	2.11	.083	2.11	.771	19.58	.768	19.51	M22 X 1.0-6g 0.100R	.606	15.39
E	17									M25 X 1.0-6g 0.100R	.724	18.39

MT FERRULE KIT



How To Order MT Ferrules

Sample Part Number	181-108	-1253	-12	P
Basic Part Number	MT Ferrule kit			
Fiber type	-1253 = Singlemode -126 = Multimode			
Number of Fibers	-12 (12 fibers, available in singlemode and multimode) -24 (24 fibers, available in multimode only)			
Ferrule Style	P = Male (Recp Only)			

Material/Finish

- Ferrule: Polyphenylene Sulfide Resin
- Guide Pin: Stainless Steel
- Spring: Stainless Steel
- Boot: TPE