

SuperNine® EMI/RFI filter

MIL-DTL-38999 Series III Type connectors

240-383B Filter connector adapter

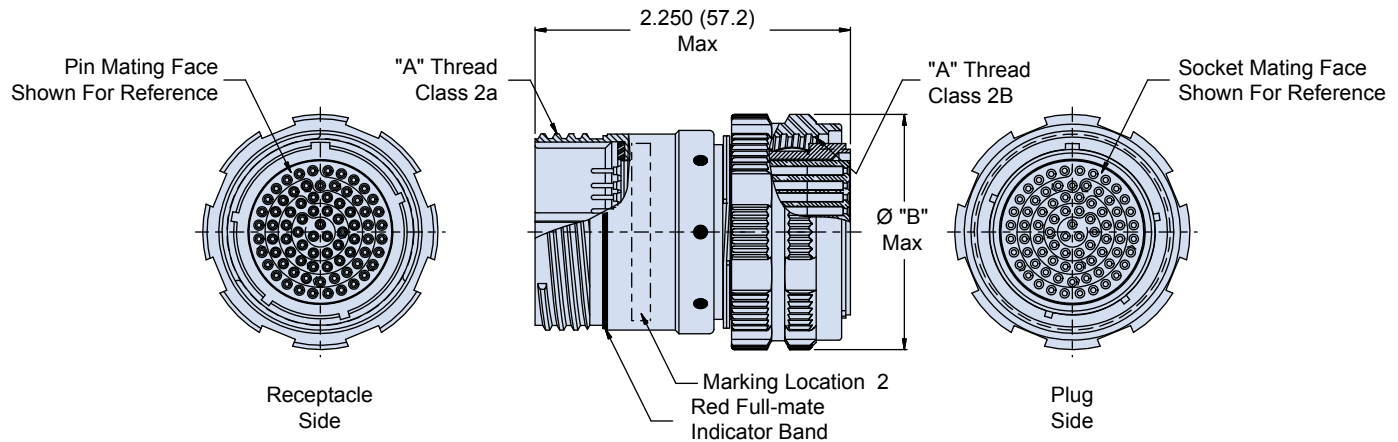


FILTERED CONNECTORS

SUPERNINE EMI/RFI FILTER CONNECTOR ADAPTER

| Part Number Development | | B | ME | 15-35 | PS | P | A | N | N |
|-------------------------|--|---|----|-------|----|---|---|---|---|
| Sample Part Number | 240-383 | | | | | | | | |
| Filter Connector | MIL-DTL-38999 Series III Type | | | | | | | | |
| Shell Style | B = Connector Adapter | | | | | | | | |
| Connector Class | See Connector Class Table | | | | | | | | |
| Insert Arrangement* | IAW MIL-STD-1560. | | | | | | | | |
| Contact Gender | PS = Pins, Plug Side SP = Sockets, Plug Side | | | | | | | | |
| Filter Type | P = Pi Circuit C = C Circuit (See Note 1) | | | | | | | | |
| Capacitance | See Capacitor Array Code Table | | | | | | | | |
| Flange Mounting Style | N = Not Applicable | | | | | | | | |
| Alternate Key Position* | A, B, C, D, E, N = Normal, U = Universal | | | | | | | | |

*Refer to Section A for complete details



NOTES

1. Other filter styles (C-L, L-C, Unbalanced Pi, Multi-Stage, Multi-Value) are available, please consult the factory.
2. Please consult the factory for Pin/Pin and/or Socket/Socket contact arrangements
3. Do not mate Universal key position with another Universal

SuperNine® EMI/RFI filter

MIL-DTL-38999 Series III Type connectors

240-383B Filter connector adapter



FILTERED CONNECTORS

| Connector Class | | | |
|-----------------|---------------|-----------------|---|
| Sym | Class | Material | Finish Description |
| ME | Environmental | Aluminum | Electroless Nickel |
| MT | Environmental | Aluminum | Ni-PTFE 1000 Hour Grey™ Nickel Fluorocarbon Polymer |
| NF | Environmental | Aluminum | Cadmium O.D. Over Electroless Nickel |
| ZL | Environmental | Stainless Steel | Electro-Deposited Nickel |
| ZN | Environmental | Aluminum | Zinc-Nickel, Olive Drab |
| ZR | Environmental | Aluminum | Zinc Nickel, Black - RoHS |

| Dimensions | | |
|------------|---------------------|--------------|
| Shell Size | A Thread Class 2 | Ø B Max |
| 9 | .6250- .1P- .3L-TS | .858 (21.8) |
| 11 | .7500- .1P- .3L-TS | .984 (25.0) |
| 13 | .8750- .1P- .3L-TS | 1.157 (29.4) |
| 15 | 1.000- .1P- .3L-TS | 1.280 (32.5) |
| 17 | 1.1875- .1P- .3L-TS | 1.406 (35.7) |
| 19 | 1.2500- .1P- .3L-TS | 1.516 (38.5) |
| 21 | 1.3750- .1P- .3L-TS | 1.642 (41.7) |
| 23 | 1.5000- .1P- .3L-TS | 1.768 (44.9) |
| 25 | 1.6250- .1P- .3L-TS | 1.890 (48.0) |

| Capacitor Array Code Capacitance Range | | |
|--|-------------------|------------------|
| Class | Pi - Circuit (pF) | C - Circuit (pF) |
| X* | 160,000 - 240,000 | 80,000 - 120,000 |
| Y* | 80,000 - 120,000 | 40,000 - 60,000 |
| Z* | 60,000 - 90,000 | 30,000 - 45,000 |
| A | 38,000 - 56,000 | 19,000 - 28,000 |
| B | 32,000 - 45,000 | 16,000 - 22,500 |
| C | 18,000 - 33,000 | 9,000 - 16,500 |
| D | 8,000 - 12,000 | 4,000 - 6,000 |
| E | 3,300 - 5,000 | 1,650 - 2,500 |
| F | 800 - 1,300 | 400 - 650 |
| G | 400 - 600 | 200 - 300 |
| J | 70-120 | 35-60 |

* Filter Classes X, Y and Z are 250 VDC.
All others are 500 VDC

Consult Factory for Additional Filter Types, TVS Diodes, and other Custom Configurations.