

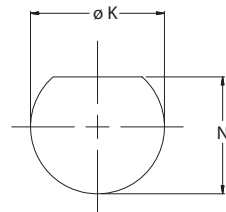
MIL-DTL-38999 Series III Type

233-266 Jam-nut mount with accessory thread or banding porch

Part Number Development						
Sample Part Number	233-266	-H7	Z1	9-35	P	N
Series / Basic Part No.	Series 23 SuperNine Hermetic					
Connector Style	DH7 = Jam-nut Mount with Accessory Thread D07 = Jam-nut Mount Single Band					
Finish*	Z1 = CRES, Passivated ZL = CRES, Electro Depositednickel Finish					
Shell Size/Insert Arrangement*	Shell Sizes: A, B, C, D, E, F, G, H, J Insert Arrangements per MIL-STD-1560. Contact factory for additional arrangement options.					
Contact Style	P = Pin, Solder Cup X = Pin, Eyelet S = Socket, Solder Cup Z = Socket, Eyelet					
Polarization*	A, B, C, D, E, N = Normal					

*Refer to Section A for standard insert arrangements and pages D-8 thru D-10 for special shielded contact arrangements, consult factory for additional options
Modification codes may be added directly to the end of any valid part number

PANEL CUTOUT DIMENSIONS



JAM-NUT
RECOMMENDED PANEL

NOTES

- Test requirements:
 - DWV: per MIL-STD-160 service rating
 - I.R.: 5000 megOhms at 500 VDC
 - Hermeticity: 1×10^{-7} ccHe/sec @ 1 ATM delta pressure
- Glenair 233-266-H7 is designed to mate to any QPL manufacturer's MIL-DTL-38999 series III plug having the same shell size, insert arrangement, polarization, and opposite contact gender.

DWV Voltage Levels at Sea Level	
Service Rating	Voltage AC RMS 60HZ
M	1300 VAC
I	1800 VAC
II	2300 VAC
N	1000 VAC

Jam-Nut Mount Panel Cutout Dimensions		
SHELL SIZE	K DIA	N
9	.703 (17.86)	.661 (16.79)
	.693 (17.60)	.655 (16.64)
11	.835 (21.21)	.771 (19.58)
	.825 (20.96)	.761 (19.33)
13	1.020 (25.91)	.955 (24.26)
	1.010 (25.65)	.945 (24.00)
15	1.145 (29.08)	1.085 (27.56)
	1.135 (28.83)	1.075 (27.30)
17	1.270 (32.26)	1.210 (30.73)
	1.260 (32.00)	1.200 (30.48)
19	1.395 (35.43)	1.335 (33.91)
	1.385 (35.18)	1.325 (33.65)
21	1.520 (38.61)	1.460 (37.08)
	1.510 (38.35)	1.450 (36.83)
23	1.645 (41.78)	1.585 (40.26)
	1.635 (41.53)	1.575 (40.00)
25	1.770 (44.96)	1.710 (43.43)
	1.760 (44.70)	1.700 (43.18)

Material/finish:

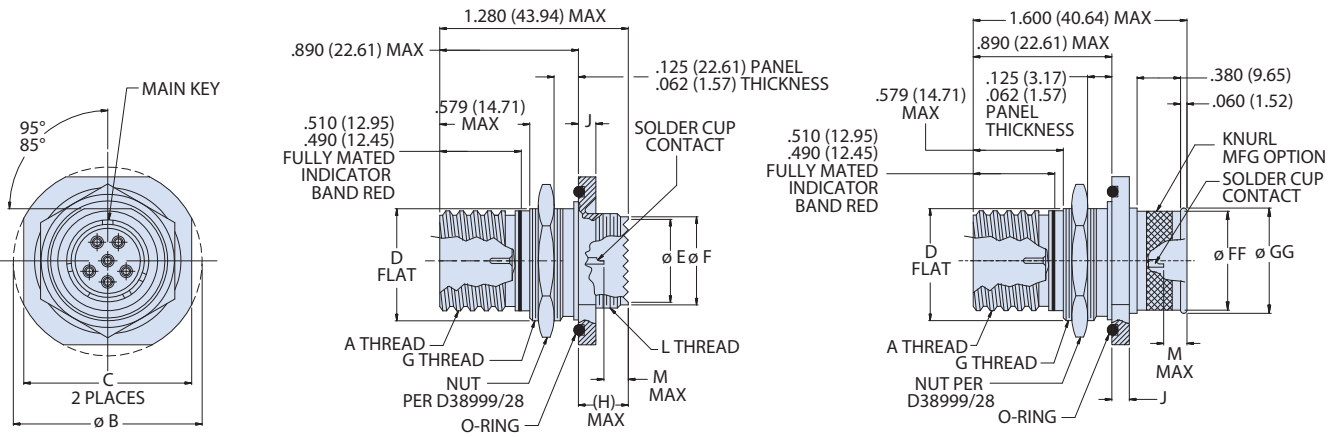
- Shell: 300 series CRES per part number development
- Contacts, hermetic: nickel iron alloy/gold plated
- Contacts, socket: copper alloy/gold plated
- Insulator, hermetic: fused vitreous glass/N.A.
- Insulator, socket: rigid dielectric/N.A.
- Seals: fluorosilicone/N.A
- O-ring, inner: fluorosilicone rubber
- O-ring, outer: silver plated aluminum in fluorosilicone (choseal 1298 equivalent)

MIL-DTL-38999 Series III Type

233-266 Jam-nut mount with accessory thread or banding porch

HERMETIC CONNECTORS

233-266-H7 JAM-NUT RECEPTACLE



H7 - JAM NUT WITH ACCESSORY THREADS

O7 - JAM NUT WITH SINGLE BAND

Dimensions											
SHELL SIZE/ CODE	A THREAD -0.1P-0.03L-TS	B DIA	C A/F	D FLAT	E DIA MAX	F DIA	G THD ISO METRIC	H MAX	J	L THREAD ISO METRIC	M MAX
9/A	.6250	1.200 (30.48) 1.177 (29.90)	1.078 (27.38) 1.047 (26.59)	.654 (16.61) .645 (16.38)	.346 (8.79)	.416 (10.57) .410 (10.41)	M17 X 1-6g 0.100R	.390 (9.91)	.122 (3.10) .083 (2.11)	M12 X 1-6g 0.100R	.200 (5.08)
11/B	.7500	1.385 (35.18) 1.362 (34.59)	1.267 (32.18) 1.236 (31.39)	.754 (19.15) .745 (18.92)	.475 (12.07)	.534 (13.56) .528 (13.41)	M20 X 1-6g 0.100R	.390 (9.91)		M15 X 1-6g 0.100R	.200 (5.08)
13/C	.8750	1.511 (38.38) 1.488 (37.80)	1.390 (35.31) 1.358 (34.49)	.941 (23.90) .932 (23.67)	.589 (14.96)	.653 (16.59) .647 (16.43)	M25 X 1-6g 0.100R	.390 (9.91)		M18 X 1-6g 0.100R	.200 (5.08)
15/D	1.0000	1.637 (41.58) 1.614 (41.00)	1.515 (38.48) 1.484 (37.69)	1.065 (27.05) 1.056 (26.82)	.714 (18.14)	.810 (20.57) .804 (20.42)	M28 X 1-6g 0.100R	.390 (9.91)		M22 X 1-6g 0.100R	.200 (5.08)
17/E	1.1875	1.763 (44.78) 1.740 (44.20)	1.641 (41.68) 1.610 (40.89)	1.190 (30.23) 1.181 (30.00)	.839 (21.31)	.928 (23.57) .922 (23.42)	M32 X 1-6g 0.100R	.390 (9.91)		M25 X 1-6g 0.100R	.200 (5.08)
19/F	1.2500	1.949 (49.50) 1.925 (48.90)	1.826 (46.38) 1.795 (45.59)	1.315 (33.40) 1.306 (33.17)	.945 (24.00)	1.046 (26.57) 1.040 (26.42)	M35 X 1-6g 0.100R	.390 (9.91)	.153 (3.89) .114 (2.90)	M28 X 1-6g 0.100R	.200 (5.08)
21/G	1.3750	2.075 (52.71) 2.051 (52.10)	1.952 (49.58) 1.921 (48.79)	1.440 (36.58) 1.431 (36.35)	1.070 (27.18)	1.164 (29.57) 1.158 (29.41)	M38 X 1-6g 0.100R	.390 (9.91)		M31 X 1-6g 0.100R	.200 (5.08)
23H	1.5000	2.200 (55.88) 2.177 (55.30)	2.078 (52.78) 2.047 (51.99)	1.565 (39.75) 1.556 (39.52)	1.194 (30.33)	1.282 (32.56) 1.276 (32.41)	M41 X 1-6g 0.100R	.390 (9.91)		M34 X 1-6g 0.100R	.200 (5.08)
25/J	1.6250	2.323 (59.00) 2.299 (58.39)	2.204 (55.98) 2.173 (55.19)	1.690 (42.93) 1.681 (42.70)	1.320 (33.53)	1.400 (35.56) 1.394 (35.41)	M44 X 1-6g 0.100R	.390 (9.91)	M37 X 1-6g 0.100R	.200 (5.08)	

Dimensions		
SHELL SIZE/CODE	ØFF	ØGG
9/A	.475 (12.07)	.538 (13.67)
11/B	.600 (15.24)	.662 (16.81)
13/C	.700 (17.78)	.762 (19.35)
15/D	.835 (21.21)	.898 (22.81)
17/E	.960 (24.38)	1.022 (25.96)
19/F	1.062 (26.97)	1.125 (28.58)
21/G	1.188 (30.18)	1.250 (31.75)
23H	1.275 (32.39)	1.338 (33.99)
25/J	1.475 (37.47)	1.538 (39.07)