

SuperNine® Lightweight hermetic MIL-DTL-38999 Series III Type 233-250 Jam-nut receptacle, PC tails or solder cup

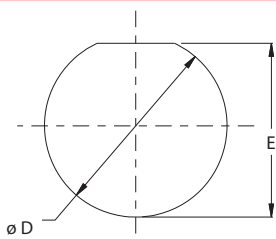


HERMETIC CONNECTORS

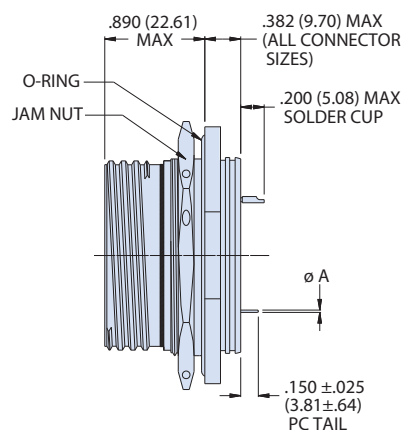
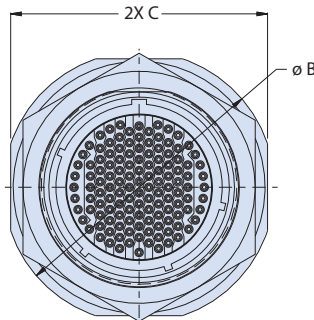
Part Number Development								
Sample Part Number	233-250			ME	17	-35	C	N
Series / Basic Part No.	Series 23 SuperNine jam-nut mount CODE RED hermetic receptacle							
Finish*	ME = Aluminum alloy 6061-T6, electroless nickel							
Shell Size*	Per MIL-DTL-38999 Series III							
Arrangement*	Per MIL-STD-1560							
Contact Style	C = Pin, PC tail P = Pin, solder cup		D = Socket, PC tail S = Socket, solder cup					
Polarization*	A, B, C, D, E, N = Normal; see section A for key position details							

*Refer to Section A for complete details, consult factory for additional options
Modification codes may be added directly to the end of any valid part number

CODE RED



RECOMMENDED PANEL CUTOUT PER MIL-DTL-38999, TYPE E



Panel Cut-Out Dimensions	
Contact Size	øA
22D	.020 (0.51)
	.018 (0.46)
20	.030 (0.76)
	.028 (0.71)
16	.040 (1.02)
	.038 (0.97)
12	.072 (1.83)
	.070 (1.78)

Dimensions				
Shell Size	ØB ±.010 (.25)	C +.004(.10) - .006(.15)	ØD +.010(.25) - .000(.00)	E +.000(.00) - .010(.25)
9	1.189 (30.20)	0.651 (16.54)	0.693 (17.60)	0.657 (16.69)*
11	1.374 (34.90)	0.751 (19.08)	0.825 (20.96)	0.771 (19.58)
13	1.500 (38.10)	0.938 (23.83)	1.010 (25.65)	0.955 (24.26)
15	1.626 (41.30)	1.062 (26.97)	1.135 (28.83)	1.085 (27.56)
17	1.752 (44.50)	1.187 (30.15)	1.260 (32.00)	1.210 (30.73)
19	1.937 (49.20)	1.312 (33.32)	1.385 (35.18)	1.335 (33.91)
21	2.063 (52.40)	1.437 (36.50)	1.510 (38.35)	1.460 (37.08)
23	2.189 (55.60)	1.562 (39.67)	1.635 (41.53)	1.585 (40.26)
25	2.311 (58.70)	1.687 (42.85)	1.760 (44.70)	1.710 (43.43)

*+.004 (.10)/-.002(.05)

NOTES

- Connectors meet all applicable dimensions, mechanical, electrical, environmental and sealing requirements of MIL-DTL-38999/23, PC tails.
- Connectors tested and meet applicable requirements of MIL-DTL-38999/23, class N & Y. See Glenair test report GT-16-223

3. Performance

- Operation temperature range: -65°C to +200°C
- Leak Rate: 1 x 10⁻⁷ cc/s max helium, 1 ATM
- IR: 5,000 megohms min at room temperature per MIL-DTL-38999
- DWV: see service rating per applicable MIL-STD-1560 arrangements

Material/Finish

- Shell and jam-nuts: aluminum alloy 6061-T6/nickel plate per D38999 series III, Class F
- Insulators: high grade rigid dielectric/ N.A.
- O-ring and Seals: fluorosilicone/N.A.
- Contacts: copper alloy/gold plated
- sealing compound: silicone base polymer