

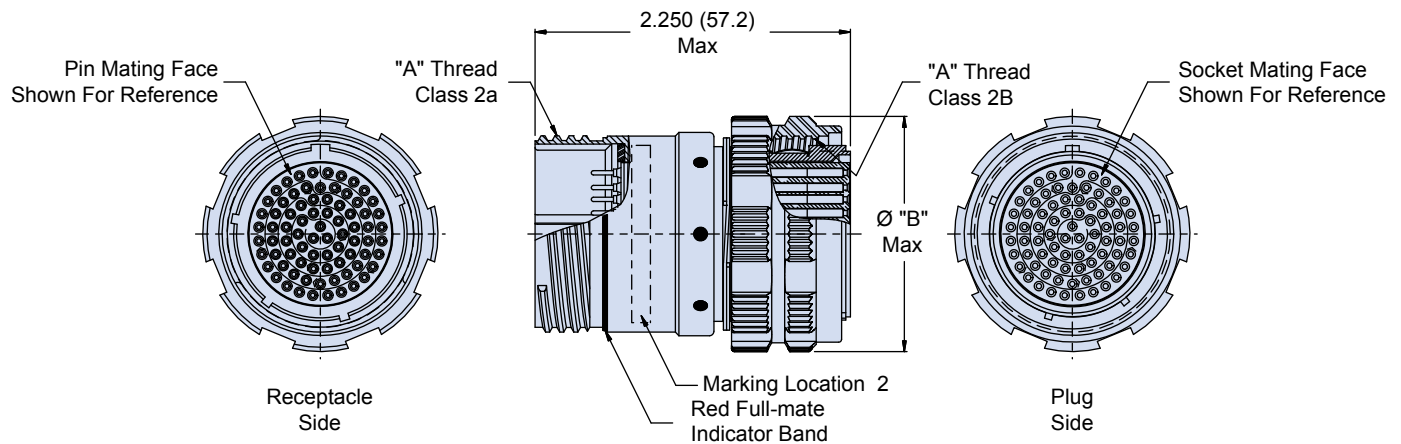
240-383B Filter connector adapter
MIL-DTL-38999 Series III Type

SUPERNINE EMI/RFI FILTER CONNECTOR ADAPTER

Part Number Development									
Sample Part Number	240-383	B	ME	15-35	PS	P	A	N	N
Filter Connector	MIL-DTL-38999 Series III Type								
Shell Style	B = Connector Adapter								
Connector Class	See Connector Class Table								
Insert Arrangement*	IAW MIL-STD-1560.								
Contact Gender	PS = Pins, Plug Side SP = Sockets, Plug Side								
Filter Type	P = Pi Circuit C = C Circuit (See Note 1)								
Capacitance	See Capacitor Array Code Table								
Flange Mounting Style	N = Not Applicable								
Alternate Key Position*	A, B, C, D, E, N = Normal, U = Universal								

*Refer to Section A for complete details

F



NOTES

1. Other filter styles (C-L, L-C, Unbalanced Pi, Multi-Stage, Multi-Value) are available, please consult the factory.
2. Please consult the factory for Pin/Pin and/or Socket/Socket contact arrangements
3. Do not mate Universal key position with another Universal

240-383B Filter connector adapter
MIL-DTL-38999 Series III Type

Connector Class			
Sym	Class	Material	Finish Description
ME	Environmental	Aluminum	Electroless Nickel
MT	Environmental	Aluminum	Ni-PTFE 1000 Hour Grey™ Nickel Fluorocarbon Polymer
NF	Environmental	Aluminum	Cadmium O.D. Over Electroless Nickel
ZL	Environmental	Stainless Steel	Electro-Deposited Nickel
ZN	Environmental	Aluminum	Zinc-Nickel, Olive Drab
ZR	Environmental	Aluminum	Zinc Nickel, Black - RoHS

Dimensions		
Shell Size	A Thread Class 2	Ø B Max
9	.6250- .1P- .3L-TS	.858 (21.8)
11	.7500- .1P- .3L-TS	.984 (25.0)
13	.8750- .1P- .3L-TS	1.157 (29.4)
15	1.000- .1P- .3L-TS	1.280 (32.5)
17	1.1875- .1P- .3L-TS	1.406 (35.7)
19	1.2500- .1P- .3L-TS	1.516 (38.5)
21	1.3750- .1P- .3L-TS	1.642 (41.7)
23	1.5000- .1P- .3L-TS	1.768 (44.9)
25	1.6250- .1P- .3L-TS	1.890 (48.0)

Capacitor Array Code Capacitance Range		
Class	Pi - Circuit (pF)	C - Circuit (pF)
X*	160,000 - 240,000	80,000 - 120,000
Y*	80,000 - 120,000	40,000 - 60,000
Z*	60,000 - 90,000	30,000 - 45,000
A	38,000 - 56,000	19,000 - 28,000
B	32,000 - 45,000	16,000 - 22,500
C	18,000 - 33,000	9,000 - 16,500
D	8,000 - 12,000	4,000 - 6,000
E	3,300 - 5,000	1,650 - 2,500
F	800 - 1,300	400 - 650
G	400 - 600	200 - 300
J	70-120	35-60

* Filter Classes X, Y and Z are 250 VDC.
 All others are 500 VDC

Consult Factory for Additional Filter Types, TVS Diodes, and other Custom Configurations.

