

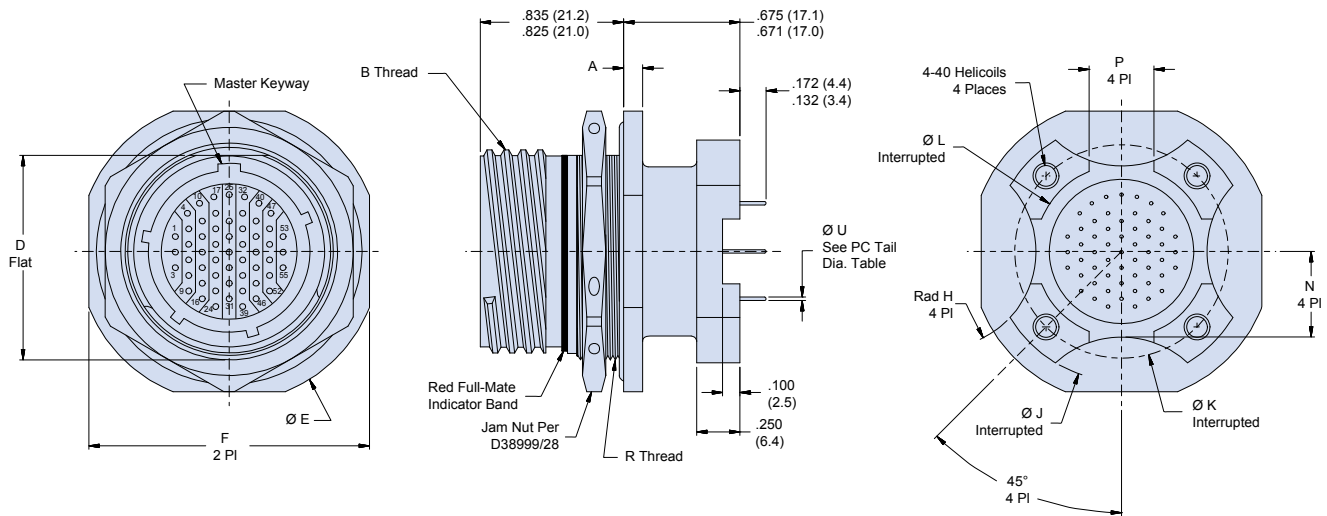
**240-383E Dual flange jam nut receptacle connector
MIL-DTL-38999 Series III Type**

SUPERNINE EMI/RFI FILTER JAM NUT RECEPTACLE WITH PC TAILS

| Part Number Development | | E | ME | 15-35 | P | P | P | A | N | N |
|-------------------------|---|---|----|-------|---|---|---|---|---|---|
| Sample Part Number | 240-383 | | | | | | | | | |
| Filter Connector | MIL-DTL-38999 Series III Type | | | | | | | | | |
| Shell Style | E = Dual Flange Jam Nut | | | | | | | | | |
| Connector Class | See Connector Class Table | | | | | | | | | |
| Insert Arrangement* | IAW MIL-STD-1560. | | | | | | | | | |
| Contact Gender | P = Pin S = Socket | | | | | | | | | |
| Termination | P = PC Tail | | | | | | | | | |
| Filter Type | P = Pi Circuit C = C Circuit (See Note 1) | | | | | | | | | |
| Capacitance | See Capacitor Array Code Table | | | | | | | | | |
| Flange Mounting Style | N = Not Applicable | | | | | | | | | |
| Alternate Key Position* | A, B, C, D, E, N = Normal | | | | | | | | | |

*Refer to Section A for complete details

F



NOTES

1. Other filter styles (C-L, L-C, Unbalanced Pi, Multi-Stage, Multi-Value) are available, please consult the factory.

240-383E Dual flange jam nut receptacle connector MIL-DTL-38999 Series III Type

| Connector Class | | | |
|-----------------|---------------|-----------------|---|
| Sym | Class | Material | Finish Description |
| ME | Environmental | Aluminum | Electroless Nickel |
| MT | Environmental | Aluminum | Ni-PTFE 1000 Hour Grey™ Nickel Fluorocarbon Polymer |
| NF | Environmental | Aluminum | Cadmium O.D. Over Electroless Nickel |
| ZL | Environmental | Stainless Steel | Electro-Deposited Nickel |
| XM | Environmental | Composite | Electroless Nickel |
| XMT | Environmental | Composite | Ni-PTFE 1000 Hour Grey™ Nickel Fluorocarbon Polymer |
| XW | Environmental | Composite | Cadmium O.D. Over Electroless Nickel |
| ZN | Environmental | Aluminum | Zinc-Nickel, Olive Drab |
| ZR | Environmental | Aluminum | Zinc Nickel, Black - RoHS |
| H2* | Hermetic | Stainless Steel | Electro-Deposited Nickel |

*Some dimensions do not apply. See drawing 240-383EH2

| Dimensions | | | | | | | | | | | | |
|------------|----------------------|---------------------|-----------------------|---------------------|---------------------|---------------------|-----------------------|-----------------|-----------------------|-------------------------|---------------------|--------------------------|
| Shell Size | B Thread | D ±.005 (.13) | Ø E ±.012 (.30) | F ±.016 (.40) | P ±.010 (.25) | R Thread | Ø J ±.005 (.13) | Ø K Bsc | Ø L ±.005 (.13) | Rad H ±.020 (.51) | N ±.020 (.51) | A |
| 9 | .6250-.1P-.3L-TS-2A | .650 (16.5) | 1.189 (30.2) | 1.063 (27.0) | .225 (5.7) | M17 X 1.0-6g 0.100R | 1.016 (25.8) | .752 (19.1) | .532 (13.5) | .225 (5.7) | .275 (7.0) | .122 (3.1) .083 (2.1) |
| 11 | .7500-.1P-.3L-TS-2A | .750 (19.1) | 1.374 (34.9) | 1.252 (31.8) | .250 (6.4) | M20 X 1.0-6g 0.100R | 1.062 (27.0) | .850 (21.6) | .595 (15.1) | .250 (6.4) | .290 (7.4) | .122 (3.1) .083 (2.1) |
| 13 | .8750-.1P-.3L-TS-2A | .937 (23.8) | 1.500 (38.1) | 1.374 (34.9) | .250 (6.4) | M25 X 1.0-6g 0.100R | 1.250 (31.8) | .994 (25.2) | .720 (18.3) | .375 (9.5) | .370 (9.4) | .122 (3.1) .083 (2.1) |
| 15 | 1.0000-.1P-.3L-TS-2A | 1.061 (26.9) | 1.626 (41.3) | 1.500 (38.1) | .325 (8.2) | M28 X 1.0-6g 0.100R | 1.375 (34.9) | 1.119 (28.4) | .843 (21.4) | .438 (11.1) | .440 (11.2) | .122 (3.1) .083 (2.1) |
| 17 | 1.1875-.1P-.3L-TS-2A | 1.186 (30.1) | 1.752 (44.5) | 1.626 (41.3) | .375 (9.5) | M32 X 1.0-6g 0.100R | 1.500 (38.1) | 1.237 (31.4) | 1.000 (25.4) | .562 (14.3) | .495 (12.6) | .122 (3.1) .083 (2.1) |
| 19 | 1.2500-.1P-.3L-TS-2A | 1.311 (33.3) | 1.937 (49.2) | 1.811 (46.0) | .500 (12.7) | M35 X 1.0-6g 0.100R | 1.625 (41.3) | 1.379 (35.0) | 1.125 (28.6) | .875 (22.2) | .540 (13.7) | .154 (3.9) .114 (2.9) |
| 21 | 1.3750-.1P-.3L-TS-2A | 1.436 (36.5) | 2.063 (52.4) | 1.937 (49.2) | .562 (14.3) | M38 X 1.0-6g 0.100R | 1.750 (44.5) | 1.489 (37.8) | 1.240 (31.5) | 1.170 (29.7) | .625 (15.9) | .154 (3.9) .114 (2.9) |
| 23 | 1.5000-.1P-.3L-TS-2A | 1.561 (39.7) | 2.189 (55.6) | 2.063 (52.4) | .688 (17.5) | M41 X 1.0-6g 0.100R | 1.875 (47.6) | 1.619 (41.1) | 1.328 (33.7) | 1.250 (31.8) | .660 (16.8) | .154 (3.9) .114 (2.9) |
| 25 | 1.6250-.1P-.3L-TS-2A | 1.686 (42.8) | 2.311 (58.7) | 2.189 (55.6) | .750 (19.1) | M44 X 1.0-6g 0.100R | 2.000 (50.8) | 1.744 (44.3) | 1.453 (36.9) | 1.375 (34.9) | .740 (18.8) | .154 (3.9) .114 (2.9) |



| Capacitor Array Code Capacitance Range | | |
|--|-------------------|------------------|
| Class | Pi - Circuit (pF) | C - Circuit (pF) |
| X* | 160,000 - 240,000 | 80,000 - 120,000 |
| Y* | 80,000 - 120,000 | 40,000 - 60,000 |
| Z* | 60,000 - 90,000 | 30,000 - 45,000 |
| A | 38,000 - 56,000 | 19,000 - 28,000 |
| B | 32,000 - 45,000 | 16,000 - 22,500 |
| C | 18,000 - 33,000 | 9,000 - 16,500 |
| D | 8,000 - 12,000 | 4,000 - 6,000 |
| E | 3,300 - 5,000 | 1,650 - 2,500 |
| F | 800 - 1,300 | 400 - 650 |
| G | 400 - 600 | 200 - 300 |
| J | 70-120 | 35-60 |

* Filter Classes X, Y and Z are 250 VDC. All others are 500 VDC

| PC Tail Dia | |
|--------------|----------------------------|
| Contact Size | Ø U |
| 22D | .021 (0.53) .018 (0.46) |
| 20 | .031 (0.79) .029 (0.74) |
| 16 | .042 (1.07) .038 (0.97) |
| 12 | .096 (2.44) .092 (2.34) |

Consult Factory for Additional Filter Types, TVS Diodes, and other Custom Configurations.