

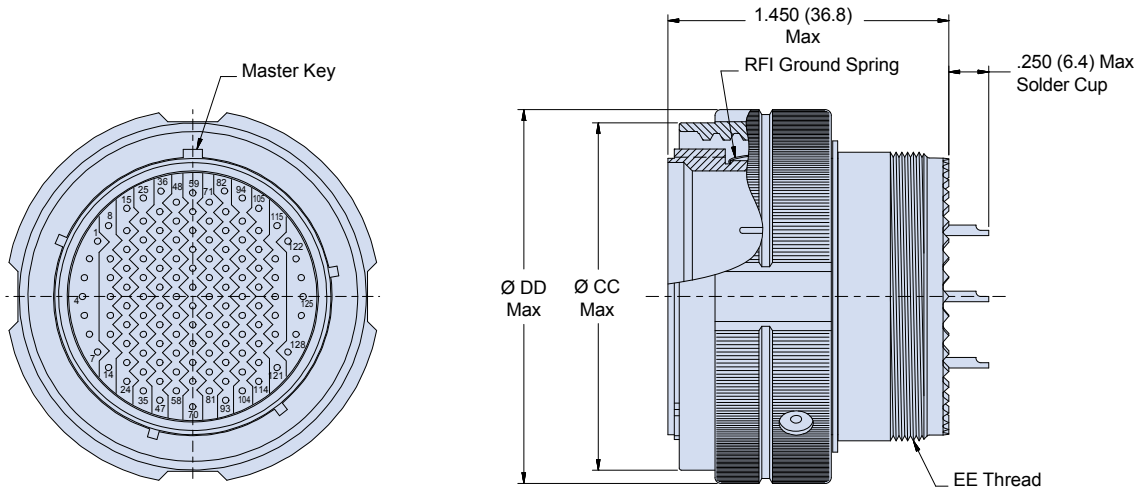
240-383P Plug connector with solder cup contacts
MIL-DTL-38999 Series III Type

SUPERNINE EMI/RFI FILTER PLUG

Part Number Development	
Sample Part Number	240-383 P ME 15-35 P S P A N N
Filter Connector	MIL-DTL-38999 Series III Type
Shell Style	P = Plug
Connector Class	See Connector Class Table
Insert Arrangement*	IAW MIL-STD-1560.
Contact Gender	P = Pin S = Socket
Termination	S = Solder Cup
Filter Type	P = Pi Circuit C = C Circuit (See Note 1)
Capacitance	See Capacitor Array Code Table
Flange Mounting Style	N = Not Applicable
Alternate Key Position*	A, B, C, D, E, N = Normal

*Refer to Section A for complete details

F



NOTES

1. Other filter styles (C-L, L-C, Unbalanced Pi, Multi-Stage, Multi-Value) are available, please consult the factory.

240-383P Plug connector with solder cup contacts
MIL-DTL-38999 Series III Type

Connector Class			
Sym	Class	Material	Finish Description
ME	Environmental	Aluminum	Electroless Nickel
MT	Environmental	Aluminum	Ni-PTFE 1000 Hour Grey™ Nickel Fluorocarbon Polymer
NF	Environmental	Aluminum	Cadmium O.D. Over Electroless Nickel
ZL	Environmental	Stainless Steel	Electro-Deposited Nickel
XM	Environmental	Composite	Electroless Nickel
XMT	Environmental	Composite	Ni-PTFE 1000 Hour Grey™ Nickel Fluorocarbon Polymer
XW	Environmental	Composite	Cadmium O.D. Over Electroless Nickel
ZN	Environmental	Aluminum	Zinc-Nickel, Olive Drab
ZR	Environmental	Aluminum	Zinc Nickel, Black - RoHS

Dimensions			
Shell Size	Ø CC Max	ØDD Max	EE Thread
9	.811 (20.6)	.858 (21.8)	M12 X 1.0-6g 0.100R
11	.929 (23.6)	.984 (25.0)	M15 X 1.0-6g 0.100R
13	1.110 (28.2)	1.157 (29.4)	M18 X 1.0-6g 0.100R
15	1.232 (31.3)	1.280 (32.5)	M22 X 1.0-6g 0.100R
17	1.358 (34.5)	1.406 (35.7)	M25 X 1.0-6g 0.100R
19	1.469 (37.3)	1.516 (38.5)	M28 X 1.0-6g 0.100R
21	1.594 (40.5)	1.642 (41.7)	M31 X 1.0-6g 0.100R
23	1.720 (43.7)	1.768 (44.9)	M34 X 1.0-6g 0.100R
25	1.843 (46.8)	1.890 (48.0)	M37 X 1.0-6g 0.100R

Capacitor Array Code Capacitance Range		
Class	Pi - Circuit (pF)	C - Circuit (pF)
X*	160,000 - 240,000	80,000 - 120,000
Y*	80,000 - 120,000	40,000 - 60,000
Z*	60,000 - 90,000	30,000 - 45,000
A	38,000 - 56,000	19,000 - 28,000
B	32,000 - 45,000	16,000 - 22,500
C	18,000 - 33,000	9,000 - 16,500
D	8,000 - 12,000	4,000 - 6,000
E	3,300 - 5,000	1,650 - 2,500
F	800 - 1,300	400 - 650
G	400 - 600	200 - 300
J	70-120	35-60

* Filter Classes X, Y and Z are 250 VDC.
 All others are 500 VDC



Consult Factory for Additional Filter Types, TVS Diodes, and other Custom Configurations.