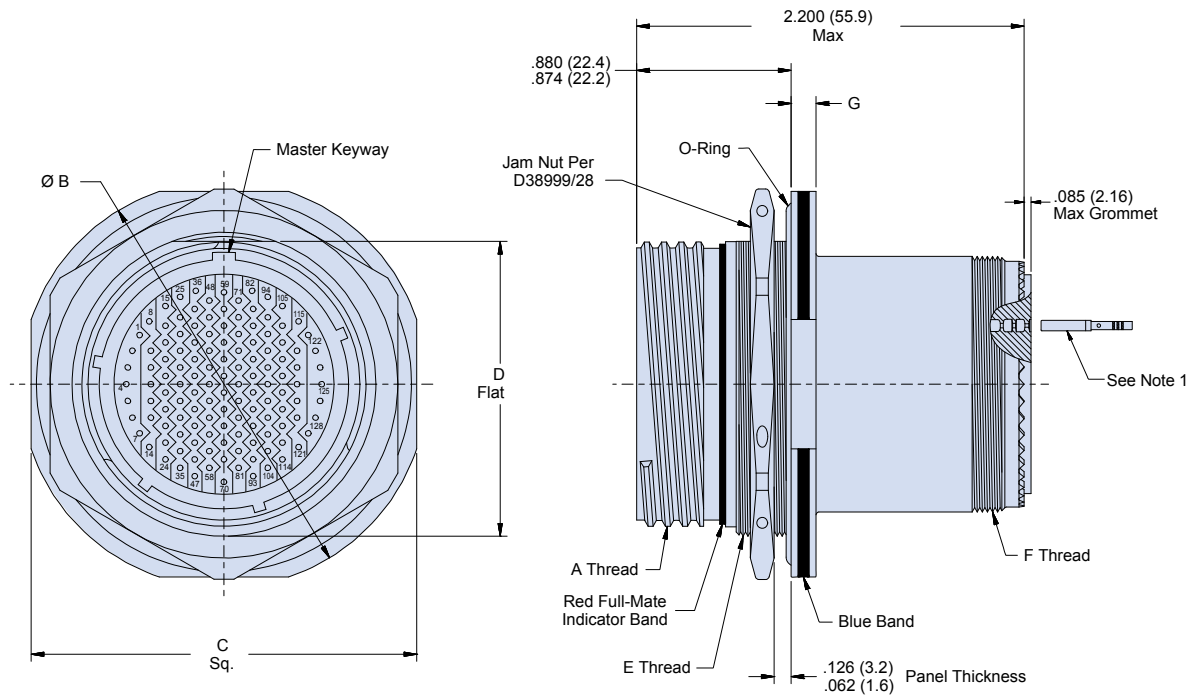


# 240-383S Jam nut receptacle connector with crimp contacts MIL-DTL-38999 Series III Type

## SUPERNINE EMI/RFI FILTER JAM NUT RECEPTACLE WITH CRIMP REMOVABLE CONTACTS

Part Number Development		S	ME	15-35	P	C	P	A	N	N
Sample Part Number	240-383									
Filter Connector	MIL-DTL-38999 Series III Type									
Shell Style	S = Jam Nut with Crimp Contacts									
Connector Class	See Connector Class Table									
Insert Arrangement*	IAW MIL-STD-1560.									
Contact Gender	P = Pin S = Socket									
Termination	C = Crimp									
Filter Type	P = Pi Circuit C = C Circuit (See Note 2)									
Capacitance	See Capacitor Array Code Table									
Flange Mounting Style	N = Not Applicable									
Alternate Key Position*	A, B, C, D, E, N = Normal									

\*Refer to Section A for complete details



### NOTES

1. Crimp removable contacts to conform to MIL-C-39029/57-358, Size 16, MIL-C-39029/57-357 Size 20, and MIL-C-39029/57-354 Size 22D (Supplied loose).
2. Other filter styles (C-L, L-C, Unbalanced Pi, Multi-Stage, Multi-Value) are available, please consult the factory.

# 240-383S Jam nut receptacle connector with crimp contacts MIL-DTL-38999 Series III Type

Connector Class			
Sym	Class	Material	Finish Description
ME	Environmental	Aluminum	Electroless Nickel
MT	Environmental	Aluminum	Ni-PTFE 1000 Hour Grey™ Nickel Fluorocarbon Polymer
NF	Environmental	Aluminum	Cadmium O.D. Over Electroless Nickel
ZL	Environmental	Stainless Steel	Electro-Deposited Nickel
XM	Environmental	Composite	Electroless Nickel
XMT	Environmental	Composite	Ni-PTFE 1000 Hour Grey™ Nickel Fluorocarbon Polymer
XW	Environmental	Composite	Cadmium O.D. Over Electroless Nickel
ZN	Environmental	Aluminum	Zinc-Nickel, Olive Drab
ZR	Environmental	Aluminum	Zinc Nickel, Black - RoHS
H2*	Hermetic	Stainless Steel	Electro-Deposited Nickel

\*Some dimensions do not apply. See drawing 240-383SH2

Dimensions							
Shell Size	A Thread	Ø B	C	D	E Thread	F Thread	G
9	.6250- .1P- .3L-TS-2A	1.201 (30.5) 1.177 (29.9)	1.079 (27.4) 1.047 (26.6)	.655 (16.6) .645 (16.4)	M17 X 1.0-6g 0.100R	M12 X 1.0-6g 0.100R	.122 (3.1) .083 (2.1)
11	.7500- .1P- .3L-TS-2A	1.386 (35.2) 1.362 (34.6)	1.268 (32.2) 1.236 (31.4)	.755 (19.2) .745 (18.9)	M20 X 1.0-6g 0.100R	M15 X 1.0-6g 0.100R	.122 (3.1) .083 (2.1)
13	.8750- .1P- .3L-TS-2A	1.512 (38.4) 1.488 (37.8)	1.390 (35.3) 1.358 (34.5)	.942 (23.9) .932 (23.7)	M25 X 1.0-6g 0.100R	M18 X 1.0-6g 0.100R	.122 (3.1) .083 (2.1)
15	1.000- .1P- .3L-TS-2A	1.638 (41.6) 1.614 (41.0)	1.516 (38.5) 1.484 (37.7)	1.066 (27.1) 1.056 (26.9)	M28 X 1.0-6g 0.100R	M22 X 1.0-6g 0.100R	.122 (3.1) .083 (2.1)
17	1.1875- .1P- .3L-TS-2A	1.764 (44.8) 1.740 (44.2)	1.642 (41.7) 1.610 (40.9)	1.191 (30.3) 1.181 (30.0)	M32 X 1.0-6g 0.100R	M25 X 1.0-6g 0.100R	.122 (3.1) .083 (2.1)
19	1.2500- .1P- .3L-TS-2A	1.949 (49.5) 1.925 (48.9)	1.827 (46.4) 1.795 (45.6)	1.316 (33.4) 1.306 (33.2)	M35 X 1.0-6g 0.100R	M28 X 1.0-6g 0.100R	.154 (3.9) .114 (2.9)
21	1.3750- .1P- .3L-TS-2A	2.075 (52.7) 2.051 (52.1)	1.953 (49.6) 1.921 (48.8)	1.441 (36.6) 1.431 (36.3)	M38 X 1.0-6g 0.100R	M31 X 1.0-6g 0.100R	.154 (3.9) .114 (2.9)
23	1.5000- .1P- .3L-TS-2A	2.201 (55.9) 2.177 (55.3)	2.079 (52.8) 2.047 (52.0)	1.566 (39.8) 1.556 (39.5)	M41 X 1.0-6g 0.100R	M34 X 1.0-6g 0.100R	.154 (3.9) .114 (2.9)
25	1.6250- .1P- .3L-TS-2A	2.323 (59.0) 2.299 (58.4)	2.205 (56.0) 2.173 (55.2)	1.691 (43.0) 1.681 (42.7)	M44 X 1.0-6g 0.100R	M37 X 1.0-6g 0.100R	.154 (3.9) .114 (2.9)



Capacitor Array Code Capacitance Range		
Class	Pi - Circuit (pF)	C - Circuit (pF)
X*	160,000 - 240,000	80,000 - 120,000
Y*	80,000 - 120,000	40,000 - 60,000
Z*	60,000 - 90,000	30,000 - 45,000
A	38,000 - 56,000	19,000 - 28,000
B	32,000 - 45,000	16,000 - 22,500
C	18,000 - 33,000	9,000 - 16,500
D	8,000 - 12,000	4,000 - 6,000
E	3,300 - 5,000	1,650 - 2,500
F	800 - 1,300	400 - 650
G	400 - 600	200 - 300
J	70-120	35-60

\* Filter Classes X, Y and Z are 250 VDC. All others are 500 VDC

Consult Factory for Additional Filter Types, TVS Diodes, and other Custom Configurations.