

Part Number Development						
Sample Part Number	233-363	NF	00	-17	N	H
Basic Number	233-363					
Finish	See Material and Finish table					
Connector Style <sup>1</sup>	See Connector Style table					
Shell Size	17					
Alternate Key Position <sup>1</sup>	A, B, C, D, E, N = Normal per MIL-DTL-38999					
HDMI Orientation	H = Horizontal V = Vertical					
Shrink Boot	T = Part No. 770-028 (Omit for None)					

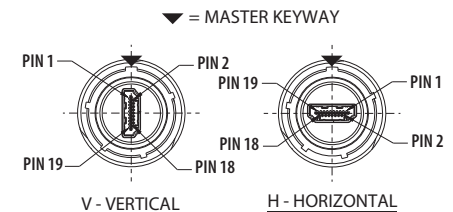
Material and Finish	
NF	Aluminum/Cadmium, Olive Drab
ME	Aluminum/Electroless Nickel
MT	Aluminum/Nickel PTFE
ZR	Aluminum/Black Zinc-Nickel
AB	Marine Bronze
XM	Composite/Electroless Nickel

Additional material / finish options available consult factory

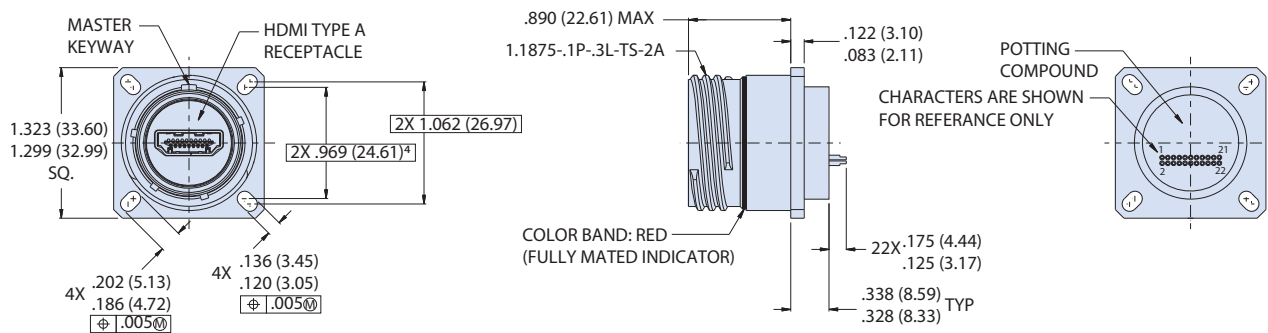
Connector Style	
00	Wall mount receptacle with slotted holes
D0	Wall mount receptacle with thru-holes
CM	Wall mount receptacle with metric clinch nuts
07	Rear panel mount, jam nut receptacle

*All external dimensions, features, etc. compliant with D38999/20, /24, &/26. Consult factory for additional information.*

### HDMI 2 FEMALE ORIENTATION OPTIONS (PARTIAL FRONT VIEWS SHOWN)



### 00 - WALL MOUNT RECEPTACLE WITH SLOTTED THRU-HOLES



### NOTES

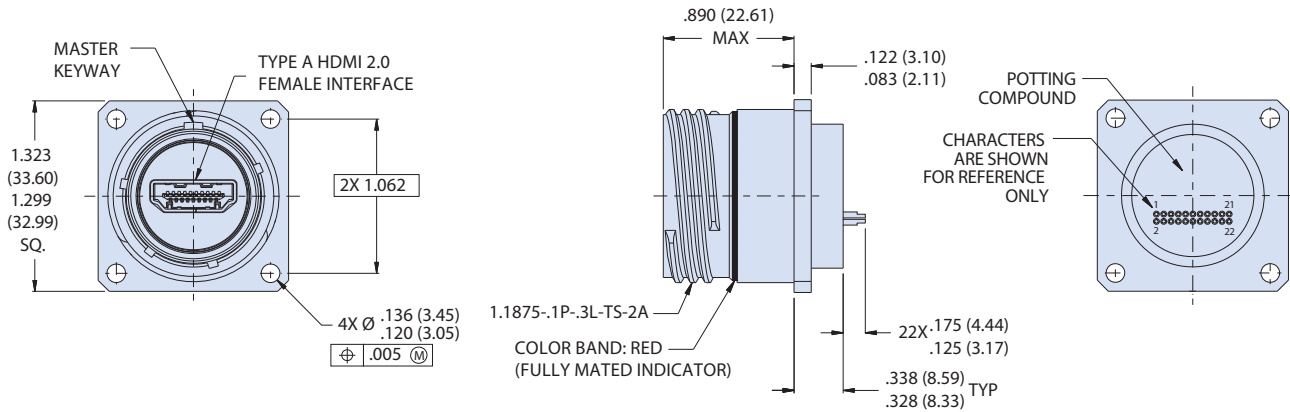
- See Section A for alternate key/keyway positions and panel cutout dimensions
- Meets IP67 in unmated condition, IP68 mated
- HDMI Type A female port, front and back
- Front panel mount only
- Material and Finish
  - Shell, jam nut: see material finish table
  - Seals: silicone based elastomer
  - Hardware: stainless steel/passivated
- HDMI:
  - Housing: thermoplastic/NA
  - Shell: copper alloy nickel plated
- Terminal: copper alloy/gold plated
- HDMI performance: design meets HDMI 2.0 protocol requirement including 18Gbps of bandwidth and supports 4K resolution and 60Hz

## MIL-DTL-38999 Series III Type

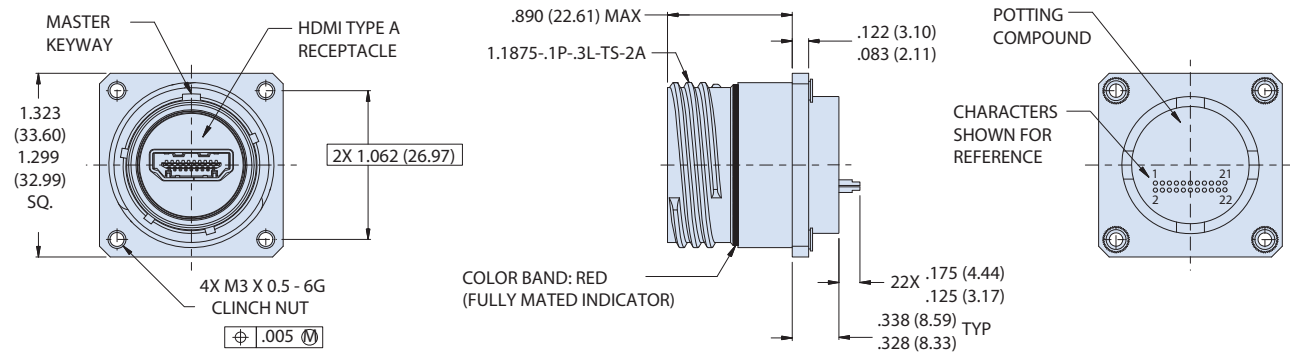
### 233-363 Panel mount connectors with solder cups

HDMI CONNECTORS

#### DO - WALL MOUNT RECEPTACLE WITH ROUND THRU-HOLES



#### CM - WALL MOUNT RECEPTACLE WITH METRIC CLINCH NUTS



#### 07 - JAM-NUT MOUNT RECEPTACLE

