

SuperNine® RJ45 CAT 5e and 6A MIL-DTL-38999 Series III Type connectors 233-330 Feedthru receptacle connector



RJ45 CAT 5E AND 6A CONNECTORS



Receptacle front View

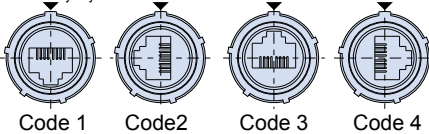
Part Number Development							
Sample Part Number	233-330	NF	00	-17	5H	N	1
Basic Number	233-330						
Finish	See Material and Finish table						
Connector Style ¹	See Connector Style table						
Shell Size	17 or 19						
RJ45 Category	5H = CAT 5e 6A = CAT 6A						
Alternate Key Position ¹	Per MIL-DTL-38999 A, B, C, D, E, N = Normal						
RJ45 Orientation	1, 2, 3, or 4						

Material and Finish	
NF	Aluminum/Cadmium Olive Drab
ME	Aluminum/Electroless Nickel
MT	Aluminum/Nickel PTFE
ZR	Aluminum/Black Zinc-Nickel

Connector Style ¹	
00	Wall mount receptacle with slotted hole ²
07	rear panel mount, jam nut receptacle
D0	Wall mount receptacle with round holes
CM	Wall mount receptacle with metric clinch nuts

RJ45 Orientation Options (Receptacle Face)

Master Keyway



Jam Nut Dimensions								
Shell Size	Ø K		L		M Flat		R	
	in	mm	in	mm	in	mm	in	mm
17	1.764	44.81	1.642	41.71	1.191	30.25	.122	3.10
	1.740	44.20	1.610	40.89	1.181	30.00	.083	2.11
19	1.949	49.50	1.827	46.41	1.316	33.43	.153	3.89
	1.925	48.90	1.795	45.59	1.306	33.17	.114	2.90

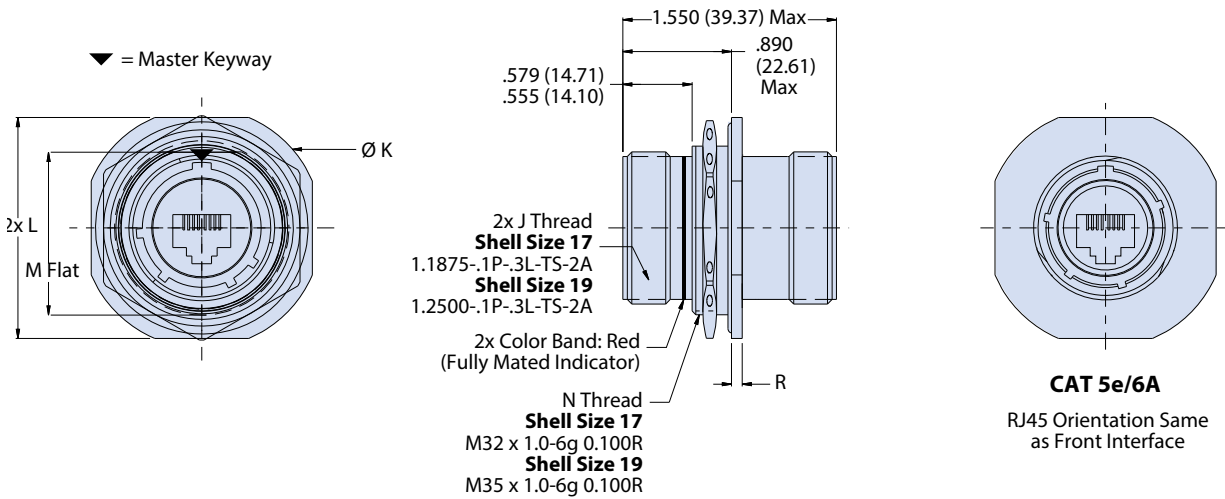
Wall Mount Receptacle Dimensions												
Shell Size	B Sq		C Bsc		D Bsc ²		E		F		Ø H Holes	
	In	mm	In	mm	In	mm	In	mm	In	mm	In	mm
17	1.323	33.60	1.062	26.97	.969	24.61	.136	3.45	.202	5.13	0.136	3.45
	1.299	32.99										
19	1.449	36.80	1.156	29.36	1.062	26.97	.120	3.05	.186	4.72	0.120	3.05
	1.425	36.20										

NOTES

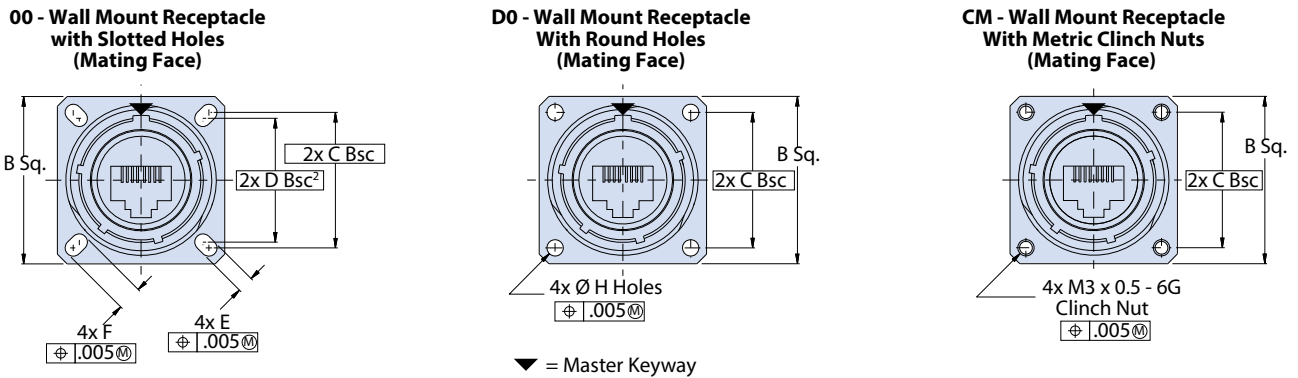
1. See Section A for alternate key/keyway positions and panel cutout dimensions
2. front panel mount only
3. Meets IP67 in unmated condition, IP68 mated
4. Feed-thru receptacle is jack-to-jack configuration

All external dimensions, features, etc. compliant with D38999/20, /24, &/26. Consult factory for additional information.

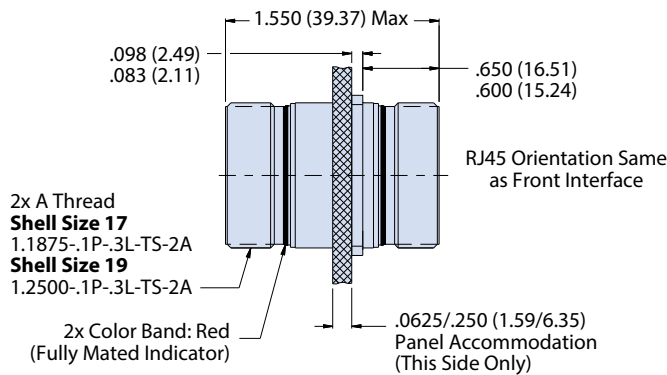
07 - REAR PANEL MOUNT, JAM NUT FEED-THRU RECEPTACLE



00, D0 AND CM - WALL MOUNT FEED-THRU RECEPTACLES



00, D0, CM - Wall Mount Receptacle



CM - Wall Mount Receptacle

