

SuperNine® USB 2.0 type A



MIL-DTL-38999 Series III Type connectors

233-345 Receptacle with size 22 crimp removable contacts

USB 2.0 AND 3.0 CONNECTORS



Receptacle Front View

Receptacle Rear View



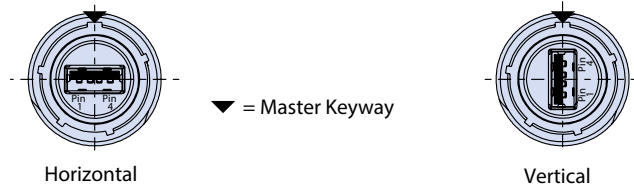
Part Number Development	
Sample Part Number	233-345 NF 00 -15 2 A N H T
Basic Number	233-345
Finish	See Material and Finish table
Connector Style ¹	See Connector Style table
Shell Size	15
USB Performance	2 = USB 2.0
USB Interface Type	A = Type A
Alternate Polarization ¹	A, B, C, D, E, N = Normal; per MIL-DTL-38999
USB Orientation	H = Horizontal V = Vertical
Shrink Boot	T = Shrink Boot; Omit for none

Material and Finish	
NF	Aluminum/cadmium, olive drab
M	Aluminum/electroless nickel
MT	Aluminum/nickel PTFE
ZR	Aluminum/black zinc-nickel

Connector Style	
G6	Plug
07	Rear panel mount, jam nut receptacle
00	Wall mount receptacle with slotted holes
D0	Wall mount receptacle with round holes
CM	Wall mount receptacle with metric clinch nuts

USB 2.0 Wiring				
Pin	Name	Cable Color (USB)	Description	Recommended Wire Sizes (AWG)
1	(V Bus)	Red	+5 V	22
2	(D-)	White	Data -	28
3	(D+)	Green	Data +	28
4	(GND)	Black	Ground	22

USB Receptacle Orientation Options (Partial Views Shown)

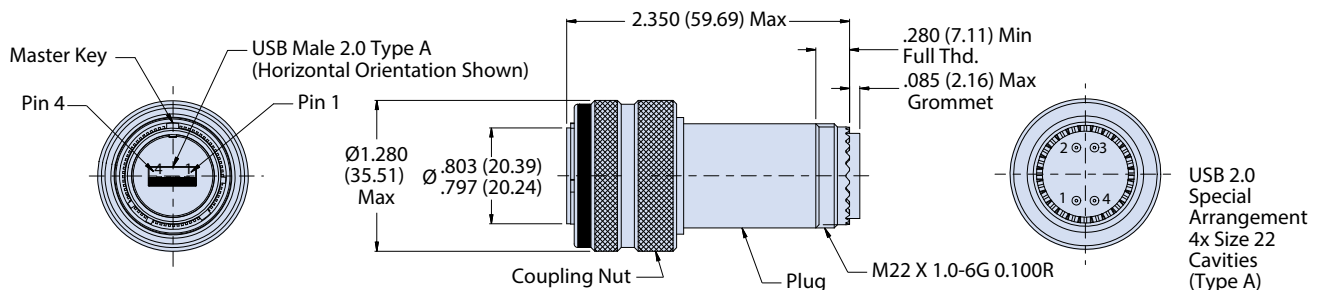


NOTES

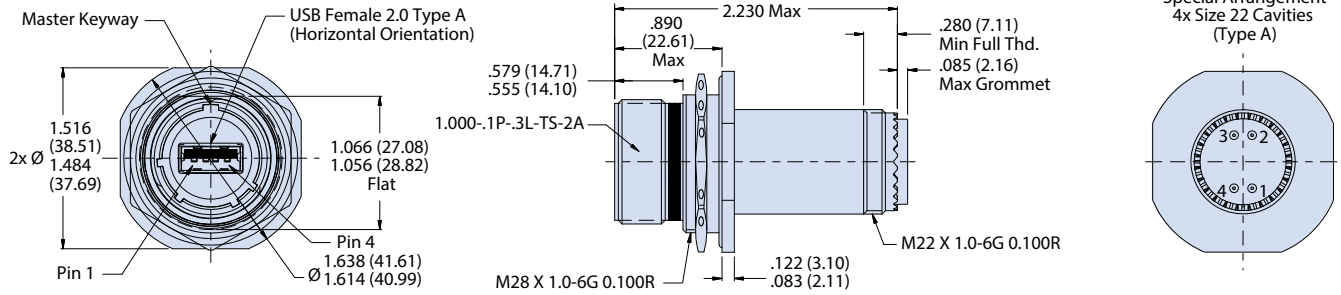
1. See Section A for alternate key/keyway positions and panel cutout dimensions
2. Front panel mount only
3. Crimp removable size 22 socket contacts (M39029/56-348) supplied loose
4. Meets IP67 in unmated condition, IP68 mated
5. Receptacle has USB female receptacle mating interface

All external dimensions, features, etc. compliant with D38999/20, /24, &/26. Consult factory for additional information.

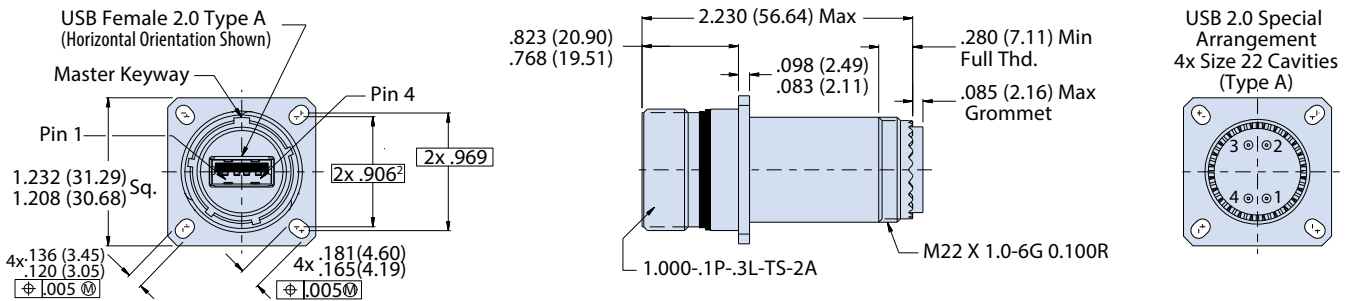
G6 PLUG WITH ACCESSORY THREADS



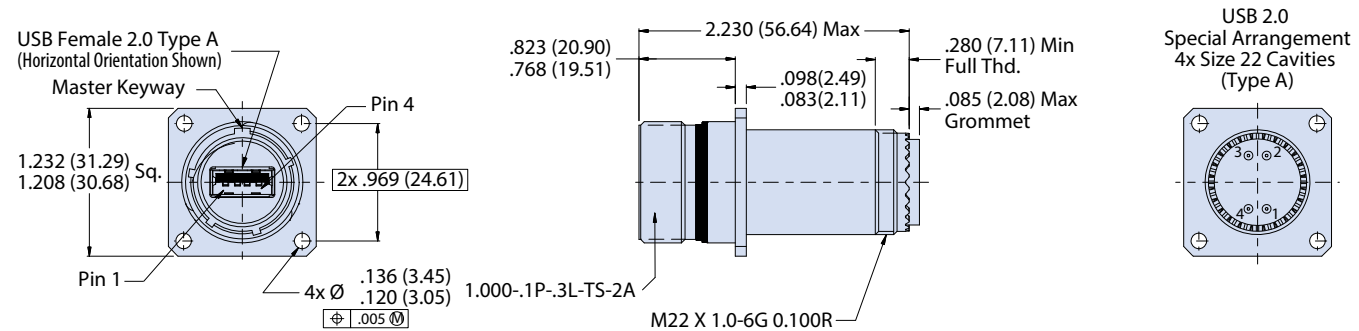
07 - REAR PANEL MOUNT, JAM NUT RECEPTACLE WITH ACCESSORY THREADS



00 WALL MOUNT RECEPTACLE WITH ACCESSORY THREADS



DO - WALL MOUNT RECEPTACLES WITH ACCESSORY THREADS



CM - WALL MOUNT RECEPTACLES WITH ACCESSORY THREADS

