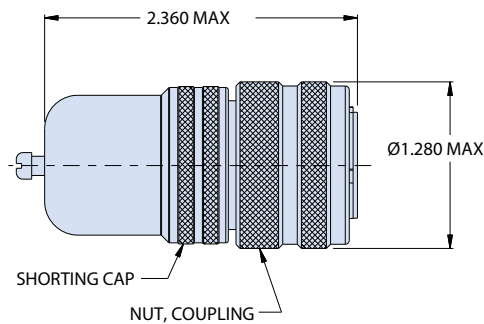
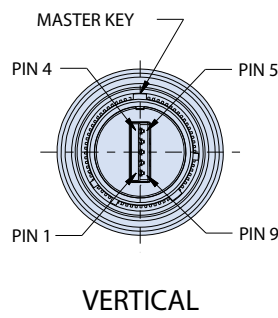
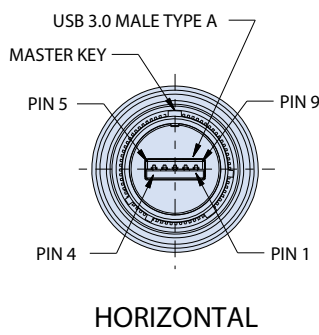


MIL-DTL-38999 Series III Type connectors 233-392 USB 3.0 memory stick

| Part Number Development | |
|--------------------------|--|
| Sample Part Number | 233-392 NF 32 15 -N H P |
| Series / Basic Part No. | 233-392 |
| Material/Finish | NF = Aluminum/cadmium olive drab ME = Aluminum/electroless nickel MT = Aluminum/nickel PTFE ZR = Aluminum/zinc-nickel |
| Storage Capacity Options | 32 = 32 GB, 64 = 64 GB, 128 = 128 GB |
| Shell Size | 15 |
| Alternate Polarization | A, B, C, D, E, N = Normal; Per MIL-DTL-38999 |
| USB Orientation | H = Horizontal V = Vertical |
| Protective Cover Option | P = Series 660-023 cover; Omit for none |



| Table II | | |
|--------------------------|-------------|--------------|
| Read / Write Performance | | |
| Capacity | Read (Mb/S) | Write (Mb/S) |
| 32 Gb | 190 | 45 |
| 64 Gb | 190 | 95 |
| 128 Gb | 195 | 95 |



NOTES

- Contact factory for details of protective cover options.
- This connector is designed to mate with Glenair part numbers 233-340,-341,-342,-343 &-345.
- USB flash memory specifications:
 - Storage capacity - 32 GB, 64 GB, 128 GB (consult factory for other capacity options)
 - System requirements - windows 2000, xp, vista, windows 7.
 - Compatibility - plug and play; USB 3.0 compliance; backward compatible with USB 2.0.
 - Interface - USB 3.0, Type a male.
 - Data transfer rates - see table II
 - Password protection and AES encryption.
 - Environmental parameters:
 - Operating temperatures - -40°C to 85°C
 - Storage temperatures - -40°C to 85°C
 - Humidity range operating - 10% to 95%.
- Material/finishes:
 - Barrel, coupling nut - see part number development
 - Insulators-high grade rigid dielectric/N.A.
 - Seal: fluorosilicone/N.A.
 - EMI grounding spring-BeCu/ electroless nickel plate.
 - Hardware: stainless steel/ passivated
- Assembly shall be identified with Glenair's name, part number and date code, space permitting.
- Interpret drawing per ASME Y14.5 - 2009.

USB 2.0 AND 3.0 CONNECTORS