

# RJ45 CAT 6A AND RJ45 CAT 5E COMPATIBLE 28840 SuperSeal™



## 900-300 RJ45 Coupler Connector

How to Order	
<b>Part Number Example</b>	<b>900-300</b> <b>NF</b> <b>D0</b> <b>-</b> <b>17</b> <b>6A</b> <b>1</b> <b>1</b>
<b>Basic Number</b>	<b>900-300</b>
<b>Material/Finish</b>	See Material and Finish Options Table
<b>Connector Style</b>	<b>D0</b> = Receptacle, Wall Mount <b>05</b> = Receptacle, Inline <b>07</b> = Receptacle, Jam Nut <b>G6</b> = Plug
<b>Shielding</b>	<b>-</b> = Inline Shielded RJ45 <b>G</b> = Inline Shielded and Grounded to Shell
<b>Shell Size</b>	<b>17</b> or <b>19</b> (See Note 1)
<b>RJ45 Category</b>	<b>6A</b> = CAT6a (CAT6a is backward compatible with CAT5, CAT5e and CAT6) <b>5H</b> = CAT5e
<b>Alternate Polarization</b>	<b>1, 2, 3, 4, 5, 6</b> See connector specifications page for further information (Per MIL-DTL-28840)
<b>RJ45 Orientation Option</b>	<b>1, 2, 3, 4</b> (See below for options)

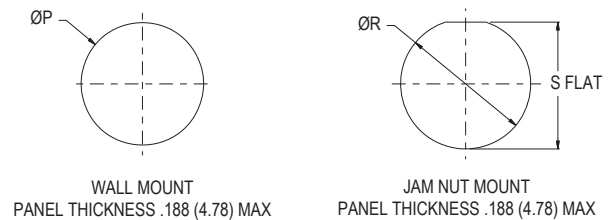
Wall Mount & Inline						
Shell Size	A Thread	B Sq	C Bsc	D Thread	E	ØF
17	1.125-.1P-.2L-DS-2A	1.403 (35.64) 1.363 (34.62)	1.015 (25.78)	1.125-18 UNEF 2A	1.143 (29.03) 1.133 (28.78)	1.338 (33.99) 1.318 (33.48)
19	1.312-.1P-.2L-DS-2A	1.528 (38.81) 1.488 (37.80)	1.140 (28.96)	1.250-18 UNEF 2A	1.330 (33.78) 1.320 (33.53)	1.525 (38.74) 1.505 (38.23)

Jam Nut Mount & Plug						
Shell Size	ØG	H	J Flat	K Thread	ØL	ØN Max
17	1.743 (44.27) 1.723 (43.76)	1.649 (41.88) 1.629 (41.38)	1.216 (30.89) 1.207 (30.66)	1.250-18 UNEF 2A	1.354 (34.39) 1.344 (34.14)	1.387 (35.23)
19	1.931 (49.05) 1.911 (48.54)	1.837 (46.66) 1.817 (46.16)	1.403 (35.64) 1.394 (35.41)	1.4375-18 UNEF 2A	1.542 (39.17) 1.532 (38.91)	1.513 (38.43)

Panel Cutouts			
Shell Size	ØP	ØR	S Flat
17	1.187 (30.15)	1.265 (32.13) 1.255 (31.88)	1.228 (31.19) 1.218 (30.94)
19	1.374 (34.90)	1.453 (36.91) 1.443 (36.65)	1.415 (35.94) 1.405 (35.69)

Material and Finish Options		
Code	Material	Finish Description
<b>NF</b>	Aluminum	Cadmium O. D. Over Electroless Nickel (500 hour Salt Spray)
<b>ZN</b>		Zinc Nickel, Olive Drab
<b>MT</b>		Nickel-PTFE, 1000 Hour Grey™
<b>Z1</b>	Stainless Steel	Passivate
<b>ZU</b>		Black Cadmium Over Nickel
<b>AB</b>	Marine Bronze	None (Clean Only)

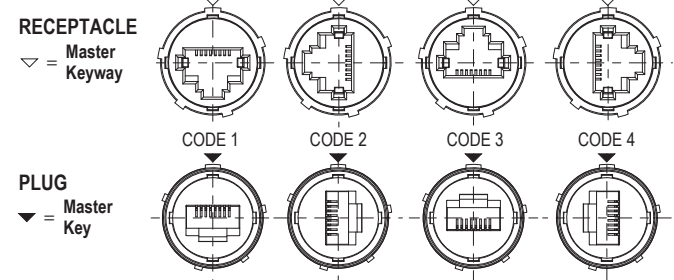
### RECOMMENDED PANEL CUT-OUTS



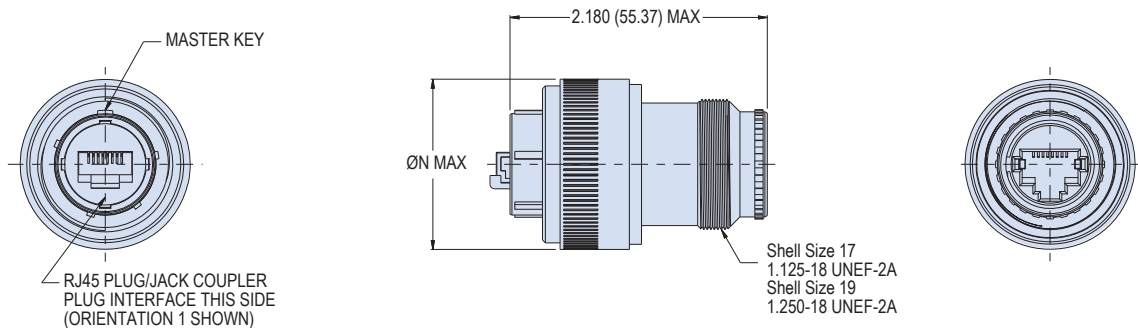
### NOTES

- Size 17 uses rear shielding sleeve.  
Size 19 uses front and rear shielding sleeve.
- Connector accessory features per M28840 connector designator G. Consult factory for accessory selection.
- Receptacle connector meets IP67 requirements in the unmated condition and plug meets IP68 requirements in the mated condition, consult factory for details.

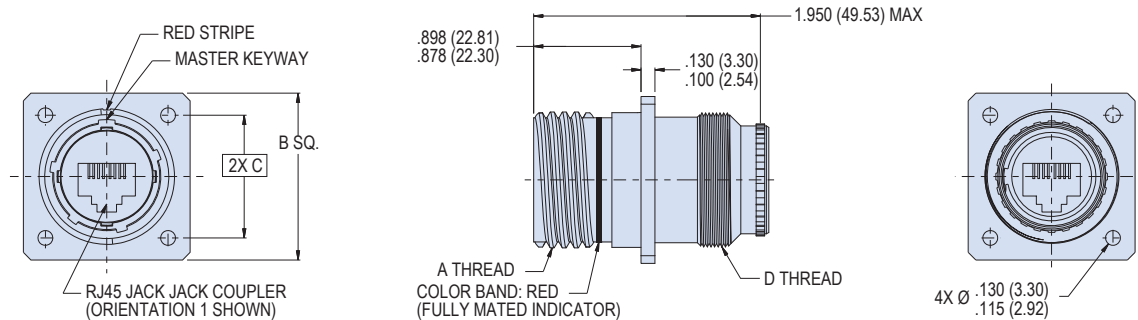
### RJ45 ORIENTATION OPTIONS



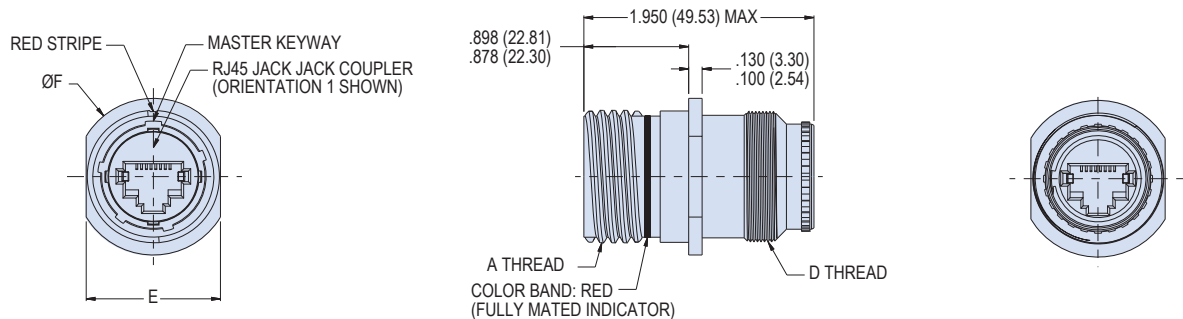
### G6 - PLUG (SEE JAM NUT MOUNT AND PLUG TABLE)



### D0 - WALL MOUNT RECEPTACLE (SEE WALL MOUNT AND INLINE TABLE)



### 05 - RECEPTACLE, INLINE (SEE WALL MOUNT AND INLINE TABLE)



### 07 - JAM NUT MOUNT RECEPTACLE (SEE JAM NUT MOUNT AND PLUG TABLE)

