

# RJ45 CAT 6A AND RJ45 CAT 5E COMPATIBLE 28840 SuperSeal™



## 900-301 RJ45 Connector with Crimp Removable Size 22 Contacts

How to Order									
<b>Part Number Example</b>	<b>900-301</b>	<b>NF</b>	<b>D0</b>	<b>-</b>	<b>17</b>	<b>6A</b>	<b>1</b>	<b>1</b>	
<b>Basic Number</b>	<b>900-301</b>								
<b>Material/Finish</b>	See Material and Finish Options Table								
<b>Connector Style</b>	<b>D0</b> = Receptacle, Wall Mount <b>07</b> = Receptacle, Jam Nut		<b>05</b> = Receptacle, Inline <b>G6</b> = Plug						
<b>Shielding</b>	<b>-</b> = Inline Shielded RJ45		<b>G</b> = Inline Shielded and Grounded to Shell (See Note 4)						
<b>Shell Size</b>	<b>17</b> or <b>19</b>								
<b>RJ45 Category</b>	<b>6A</b> = CAT6A (CAT6a is backward compatible with CAT5, CAT5e and CAT6)				<b>5H</b> = CAT5E;				
<b>Alternate Polarization</b>	<b>1, 2, 3, 4, 5, 6</b> See connector specifications page for further information (Per MIL-DTL-28840)								
<b>RJ45 Orientation</b>	<b>1, 2, 3, 4</b> (See below for options)								

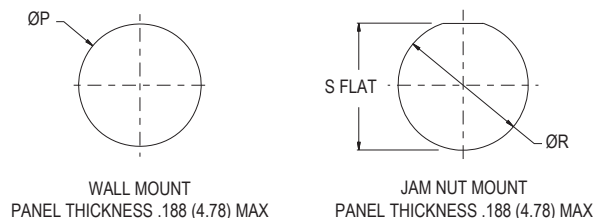
Wall Mount & Inline						
Shell Size	A Thread	B Sq	C Bsc	D Thread	E	ØF
17	1.125-.1P-.2L-DS-2A	1.403 (35.64)	1.015 (25.78)	1.125-18 UNEF 2A	1.143 (29.03)	1.338 (33.99)
		1.363 (34.62)			1.133 (28.78)	1.318 (33.48)
19	1.312-.1P-.2L-DS-2A	1.528 (38.81)	1.140 (28.96)	1.250-18 UNEF 2A	1.330 (33.78)	1.525 (38.74)
		1.488 (37.80)			1.320 (33.53)	1.505 (38.23)

Jam Nut Mount & Plug					
Shell Size	ØG	H	J Flat	K Thread	ØL Max
17	1.743 (44.27)	1.649 (41.88)	1.216 (30.89)	1.250-18 UNEF 2A	1.387 (35.23)
	1.723 (43.76)	1.629 (41.38)	1.207 (30.66)		
19	1.931 (49.05)	1.837 (46.66)	1.403 (35.64)	1.4375-18 UNEF 2A	1.513 (38.43)
	1.911 (48.54)	1.817 (46.16)	1.394 (35.41)		

Panel Cutouts			
Shell Size	ØP	ØR	S Flat
17	1.187 (30.15)	1.265 (32.13)	1.228 (31.19)
		1.255 (31.88)	1.218 (30.94)
19	1.374 (34.90)	1.453 (36.91)	1.415 (35.94)
		1.443 (36.65)	1.405 (35.69)

Material and Finish Options		
Code	Material	Finish Description
<b>NF</b>	Aluminum	Cadmium O. D. Over Electroless Nickel (500 hour Salt Spray)
<b>ZN</b>		Zinc Nickel, Olive Drab
<b>MT</b>		Nickel-PTFE, 1000 Hour Grey™
<b>Z1</b>	Stainless Steel	Passivate
<b>ZU</b>		Black Cadmium Over Nickel
<b>AB</b>	Marine Bronze	None (Clean Only)

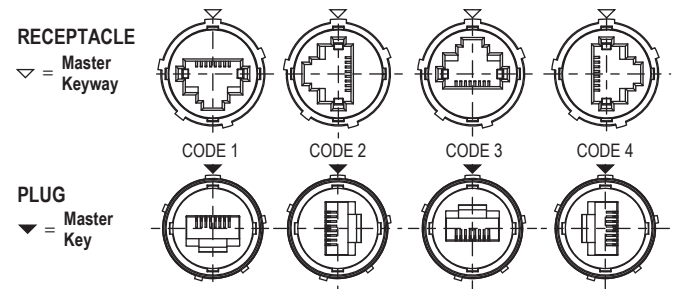
### RECOMMENDED PANEL CUT-OUTS



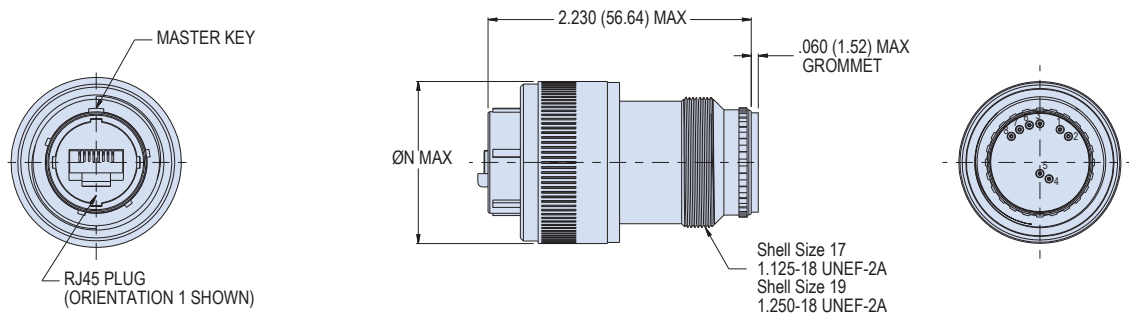
### NOTES

- Connector meets general requirements of MIL-DTL-28840 and RJ45 connector meets TIA 568B standard.
- Crimp removable contacts to conform to M39029/58-360 - size 22 pin contacts supplied loose.
- Receptacle connector designed to meet IP67 unmated condition. Plug connector designed to meet IP68 mated condition, consult factory for detailed information.
- "G" indicates RJ45 coupler is shielded inline and grounded to shell.
- Connector accessory features per M28840 connector designator G. Consult factory for crimp tool and accessory selection.

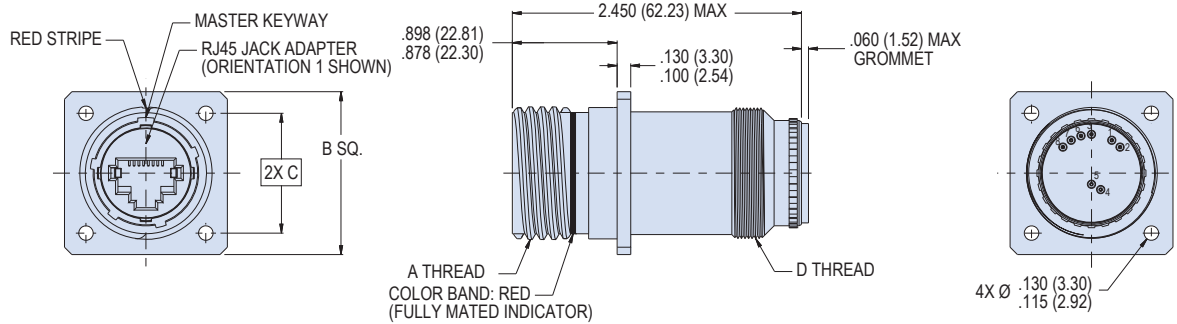
### RJ45 ORIENTATION OPTIONS



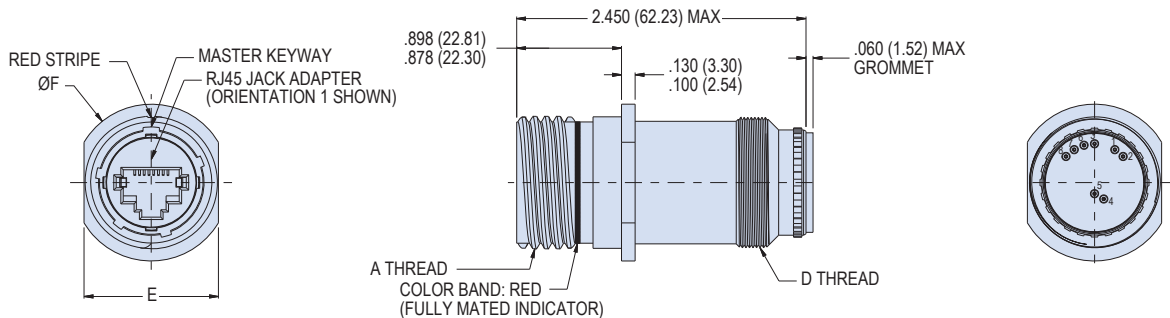
**G6 - PLUG (SEE JAM NUT MOUNT AND PLUG TABLE)**



**D0 - WALL MOUNT RECEPTACLE (SEE WALL MOUNT AND INLINE TABLE)**



**05 - RECEPTACLE, INLINE (SEE WALL MOUNT AND INLINE TABLE)**



**07 - JAM NUT MOUNT RECEPTACLE (SEE JAM NUT MOUNT AND PLUG TABLE)**

