



RJ45 CAT 5E ETHERNET 28840 SuperSeal™



900-300 Coupler with Accessory Threads and RJ45 Plug-to-Jack (Plug) or Jack-to-Jack (Receptacle)

H

How to Order	
Part Number Example	900-300 NF D0 - 17 5H 1 1
Basic Number	900-300
Material/Finish	See Material and Finish Options Table
Connector Style	D0 = Receptacle, Wall Mount 05 = Receptacle, Inline 07 = Receptacle, Jam Nut G6 = Plug
Shielding	- = Inline Shielded RJ45 G = Inline Shielded and Grounded to Shell
Shell Size	17 or 19 (See Note 1)
RJ45 Category	5H = Cat 5E For Cat 6A applications consult factory
Alternate Polarization	1, 2, 3, 4, 5, 6 See connector specifications page for further information (Per MIL-DTL-28840)
RJ45 Orientation Option	1, 2, 3, 4 (See below for options)

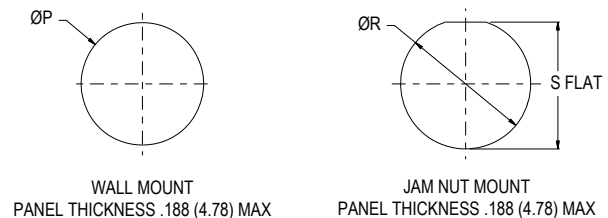
Wall Mount & Inline Receptacle Dimensions						
Shell Size	A Thread	B Sq	C Bsc	D Thread	E	ØF
17	1.125-.1P-.2L-DS-2A	1.403 (35.64) 1.363 (34.62)	1.015 (25.78)	1.125-18 UNEF 2A	1.143 (29.03) 1.133 (28.78)	1.338 (33.99) 1.318 (33.48)
19	1.312-.1P-.2L-DS-2A	1.528 (38.81) 1.488 (37.80)	1.140 (28.96)	1.250-18 UNEF 2A	1.330 (33.78) 1.320 (33.53)	1.525 (38.74) 1.505 (38.23)

Jam Nut Receptacle & Plug Dimensions						
Shell Size	ØG	H	J Flat	K Thread	ØL	ØN Max
17	1.743 (44.27) 1.723 (43.76)	1.649 (41.88) 1.629 (41.38)	1.216 (30.89) 1.207 (30.66)	1.250-18 UNEF 2A	1.354 (34.39) 1.344 (34.14)	1.387 (35.23)
19	1.931 (49.05) 1.911 (48.54)	1.837 (46.66) 1.817 (46.16)	1.403 (35.64) 1.394 (35.41)	1.4375-18 UNEF 2A	1.542 (39.17) 1.532 (38.91)	1.513 (38.43)

Panel Cutouts			
Shell Size	ØP	ØR	S Flat
17	1.187 (30.15)	1.265 (32.13) 1.255 (31.88)	1.228 (31.19) 1.218 (30.94)
19	1.374 (34.90)	1.453 (36.91) 1.443 (36.65)	1.415 (35.94) 1.405 (35.69)

Material and Finish Options		
Code	Material	Finish Description
NF	Aluminum	Cadmium O. D. Over Electroless Nickel (500 hour Salt Spray)
ZN		Zinc Nickel, Olive Drab
MT		Nickel-PTFE, 1000 Hour Grey™
Z1	Stainless Steel	Passivate
ZU		Black Cadmium Over Nickel
AB	Marine Bronze	None (Clean Only)

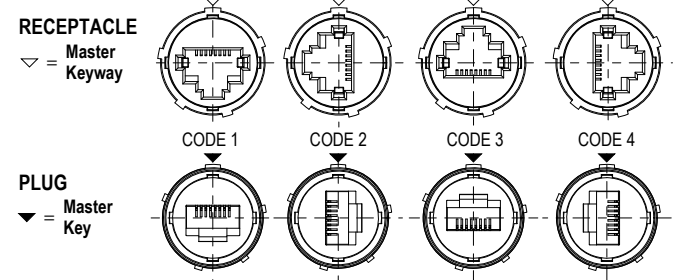
RECOMMENDED PANEL CUT-OUTS



NOTES

- Size 17 uses rear shielding sleeve.
Size 19 uses front and rear shielding sleeve.
- Connector accessory features per M28840 connector designator G. Consult factory for accessory selection.
- Receptacle connector meets IP67 requirements in the unmated condition and plug meets IP68 requirements in the mated condition, consult factory for details.

RJ45 ORIENTATION OPTIONS



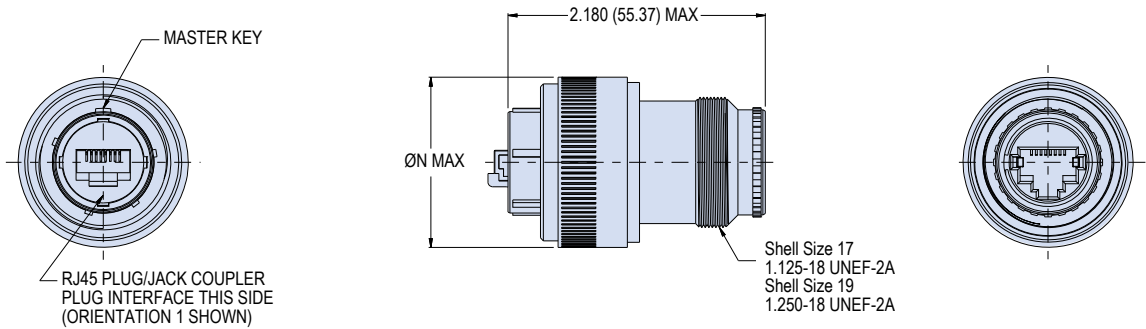


RJ45 CAT 5E ETHERNET 28840 SuperSeal™

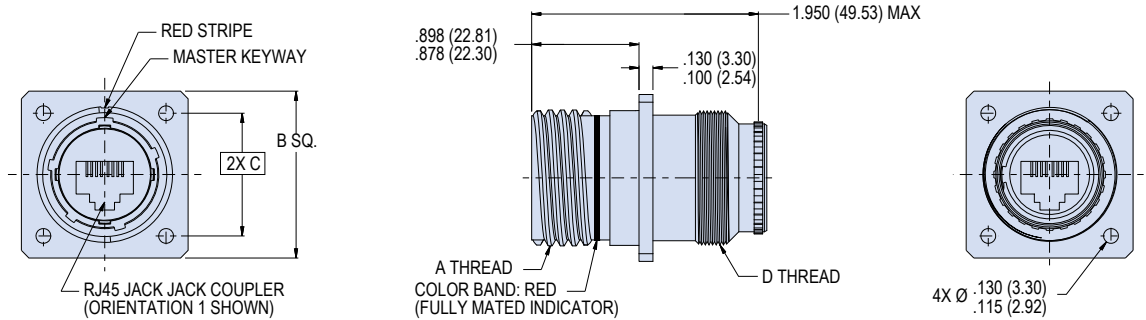


900-300 Coupler with Accessory Threads and RJ45
Plug-to-Jack (Plug) or Jack-to-Jack (Receptacle)

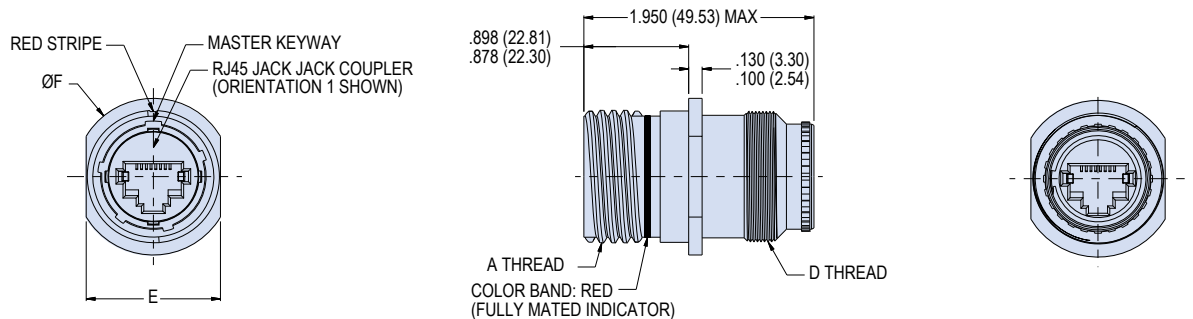
G6 - PLUG (JAM NUT RECEPTACLE & PLUG DIMENSIONS TABLE)



D0 - WALL MOUNT RECEPTACLE (WALL MOUNT & INLINE RECEPTACLE DIMENSIONS TABLE)



05 - RECEPTACLE, INLINE (WALL MOUNT & INLINE RECEPTACLE DIMENSIONS TABLE)



07 - JAM NUT MOUNT RECEPTACLE (JAM NUT RECEPTACLE & PLUG DIMENSIONS TABLE)

