

# SERIES 802 2400M / 3500 PSI Ultraminiature Subsea Connectors



## 802-008 and 802-009 (CCP) In-line cable plug



**Stainless Steel or Marine Bronze Shell** withstands corrosion in the most hostile environments. Rated for 3500 PSI when mated, these connectors are suitable for the most demanding geophysical and underwater applications.

**Gold-Plated Contacts** attach to wire

with standard mil spec crimp tools. Contacts are packaged with connectors.

**Two Shell Styles:** Integral platform for direct shield attachment using Band-Master™ ATS termination system, or accessory thread for attaching accessories.

SUBSEA/SHALLOW WATER: AQUAMOUSE™

How To Order						
Sample Part Number	802-009	-06	Z1	9-19	S	A
Series (See Table I)	802-008 = Plug with Banding/ Molding Platform 802-009 = Plug with Accessory Thread					
Shell Style	-06 = Plug					
Shell Material and Finish	Z1 = Stainless Steel/Passivated RoHS Compliant ZM = Stainless Steel/ Electroless Nickel Plated AB = Marine Bronze					
Shell Size - Contact Arrangement	See Contact Arrangements page 4-6					
Contact Type	<p><b>Connector supplied with contacts</b>      <b>Connector supplied without contacts</b></p> <p>P = Pin, Crimp      A = Pin Connector, less contacts S = Socket, Crimp      B = Socket Connector, less contacts</p> <p>Connectors with contacts are supplied with signal and/or power crimp contacts. These contacts are not installed. Coaxial contacts and non-standard signal contacts are ordered separately.</p>					
Shell Key Positions (See Table II)	A = Normal   B = Pos. B   C = Pos. C   D = Pos. D   E = Pos. E   F = Pos. F					

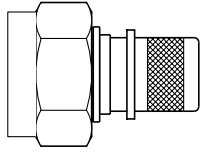
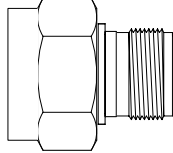
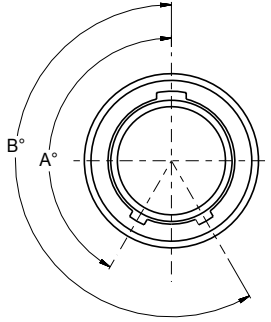
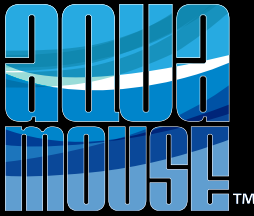
Table I: Series	
	
<p><b>802-008</b> Hex Plug with Banding/Molding Platform</p>	<p><b>802-009</b> Hex Plug with Accessory Thread</p>

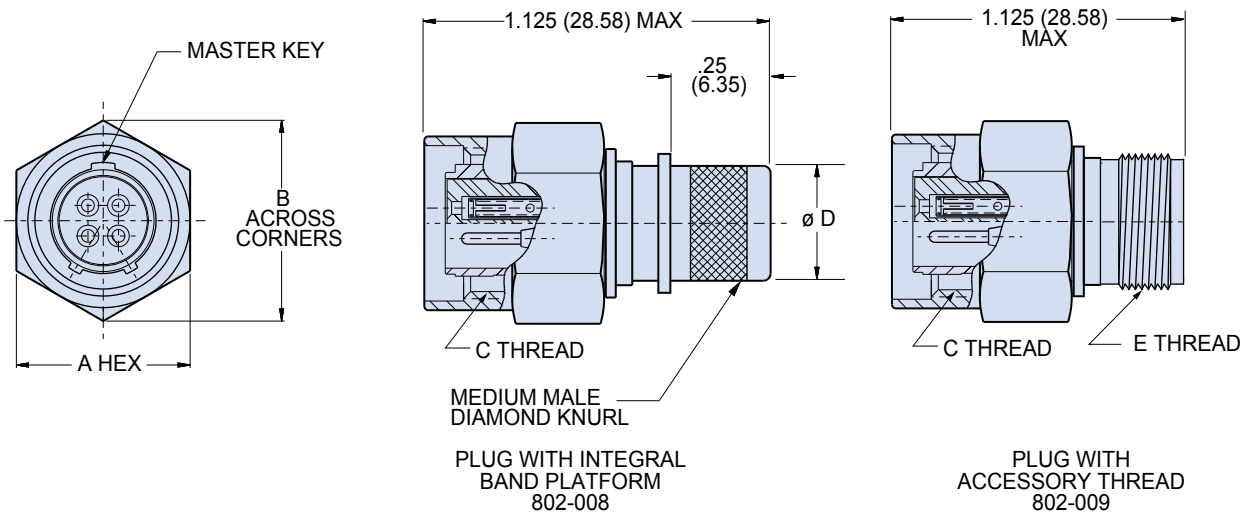
Table II: Key Positions		
	Key Rotation	
	Key Position	A°
Normal (A)	150°	210°
B	75°	210°
C	95°	230°
D	140°	275°
E	75°	275°
F	95°	210°



SERIES 802 2400M / 3500 PSI  
**Ultraminiature Subsea Connectors**  
 802-008-06 and 802-009-06 (CCP)  
 Cable connector plug



**PLUG CONNECTOR**



Dimensions					
Shell Size	A Hex	B.	C Thread	Ø D	E Threads Accessory
5	.500 (12.70)	.56 (14.22)	.438-28 UNEF	.232 (5.89)	.2500-32 UNEF
6	.625 (15.88)	.72 (18.29)	.562-20 UN	.312 (7.92)	.3125-32 UNEF
7	.688 (17.48)	.78 (19.81)	.625-20 UN	.375 (9.52)	.4375-28 UNEF
8	.750 (19.05)	.86 (21.84)	.687-20 UN	.438 (11.13)	.5000-28 UNEF
9	.812 (20.62)	.93 (23.62)	.750-20 UNEF	.500 (12.70)	.5625-24 UNEF
10	.875 (22.23)	1.00 (25.40)	.812-20 UNEF	.562 (14.27)	.6250-24 UNEF
12	.938 (23.83)	1.06 (26.92)	.875-20 UNEF	.656 (16.66)	.6875-24 UNEF
14	1.125 (28.58)	1.25 (31.75)	1.062-20 UN	.812 (20.62)	.8750-20 UNEF
15	1.188 (30.18)	1.32 (33.53)	1.125-20 UN	.885 (22.48)	.9375-20 UNEF
21	1.562 (39.67)	1.70 (43.18)	1.438-20 un	1.188 (30.18)	1.250-18 UNEF

SUBSEA SHALLOW WATER: AQUAMOUSE™

